



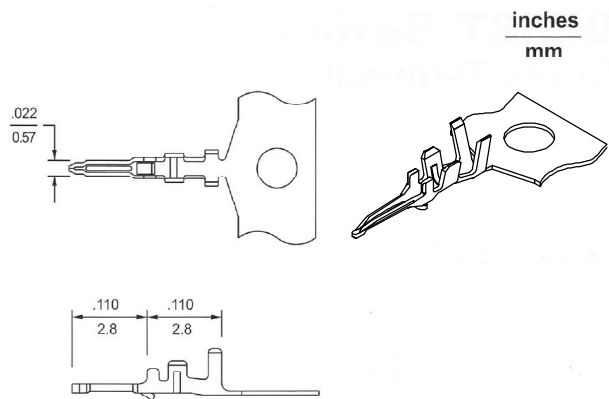
# .049"(1.25mm) Pitch Board-In Connector

## Specifications:

- Current rating: 1A (0.8A for #32 AWG)
- Voltage rating: 125V
- Withstanding voltage: 250V AC/minute
- Insulation resistance: 100MΩ min.
- Contact resistance on crimped portion: 5mΩ max.
- Temperature rise: -40 °C ~ 85 °C (including temperature rise)
- UL file No. : E114003

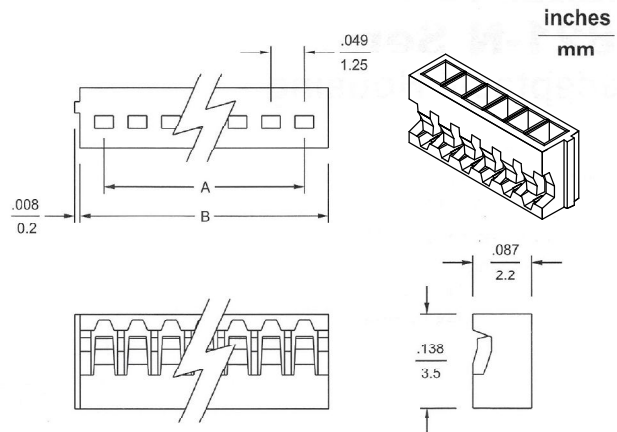
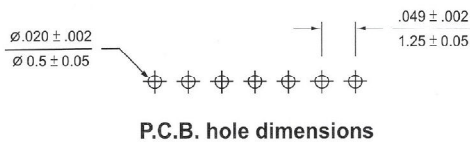
## 9861T Series Crimp Terminal

- Material: Phosphor bronze
- Finished: Tin-plated
- Used in ALEX 9862-N series housing
- Wire range: AWG #28 ~ #32
- Thickness: 0.15mm



## 9862-N Series Crimp Terminal Housing

- 2 ~ 15 circuits available
- Material: UL 94V-0 nylon 66
- Accepts ALEX 9861T series terminals



### Dimensional Information - in ( mm )

Circuits	Dim. A	Dim. B	Circuits	Dim. A	Dim. B	Circuits	Dim. A	Dim. B
2	.049 (1.25)	.120 (3.05)	7	.295 ( 7.50)	.366 ( 9.30)	12	.541 (13.75)	.612 (15.55)
3	.098 (2.50)	.169 (4.30)	8	.344 ( 8.75)	.415 (10.55)	13	.591 (15.00)	.661 (16.80)
4	.148 (3.75)	.219 (5.55)	9	.394 (10.00)	.465 (11.80)	14	.640 (16.25)	.711 (18.05)
5	.197 (5.00)	.268 (6.80)	10	.443 (11.25)	.514 (13.05)	15	.689 (17.50)	.760 (19.30)
6	.246 (6.25)	.317 (8.05)	11	.492 (12.50)	.563 (14.30)			