



ALEX

.156"(3.96mm) Board-In Type Connectors

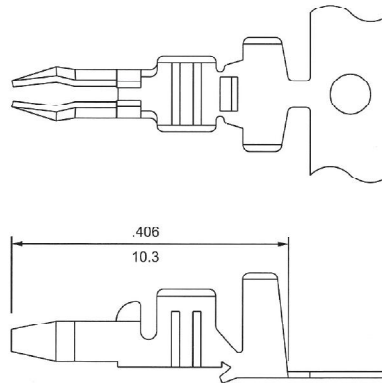
Specifications:

- Current rating: 5A AC, DC
- Voltage rating: 300V AC, DC
- Insulation resistance: 1000MΩ min.
- Withstanding voltage: 1500V AC/minute
- Applicable P. C. B. thickness: .063"(1.6mm)
- Temperature rise: -40 °C ~ 100 °C max.
- UL file No. : E114003

3594T Series Crimp Terminal

inches
mm

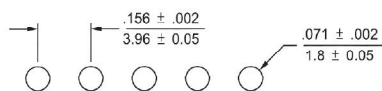
- Material: Brass
- Finished: Tin-plated
- Used in ALEX 3595-N series housing
- Wire range: AWG #16 ~ #22
- Thickness: 0.25mm



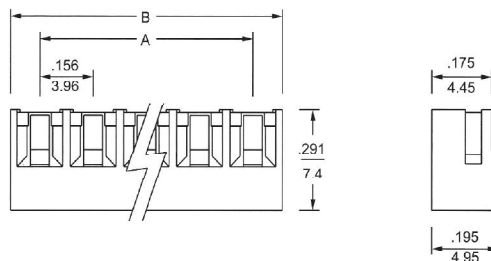
3595-N Series Crimp Terminal Housing

inches
mm

- 2 ~ 15 circuits available
- Material: UL 94V-0 nylon 66
- Color: White
- Accepts ALEX 3594T terminal



P. C. board hole dimensions



Dimensional Information - in (mm)

Circuits	Dim. A	Dim. B	Circuits	Dim. A	Dim. B	Circuits	Dim. A	Dim. B
2	0.156 (3.96)	0.337 (8.56)	7	0.935 (23.76)	1.117 (28.36)	12	1.715 (43.56)	1.896 (48.16)
3	0.312 (7.92)	0.493 (12.52)	8	1.091 (27.72)	1.272 (32.32)	13	1.871 (47.52)	2.052 (52.12)
4	0.468 (11.88)	0.649 (16.48)	9	1.247 (31.68)	1.428 (36.28)	14	2.027 (51.48)	2.208 (56.08)
5	0.624 (15.84)	0.805 (20.44)	10	1.403 (35.64)	1.584 (40.24)	15	2.183 (55.44)	2.364 (60.04)
6	0.780 (19.80)	0.961 (24.40)	11	1.559 (39.60)	1.740 (44.20)			