

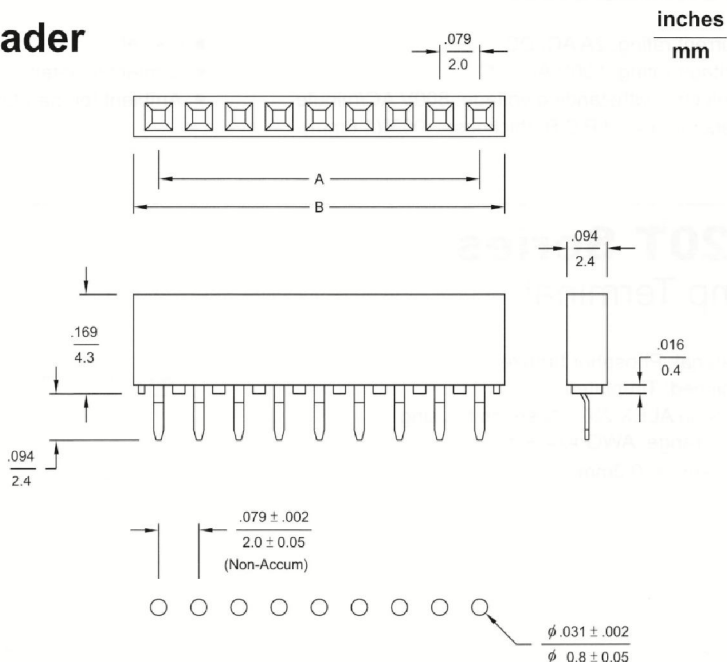


ALEX

.079"(2.0mm) Center Headers

9909-N Series Single Row Straight Header

- 2 ~ 40 circuits available
- Material: PBT
- Gold flash phosphor bronze
- Various pin lengths available



Dimensional Information (mm)

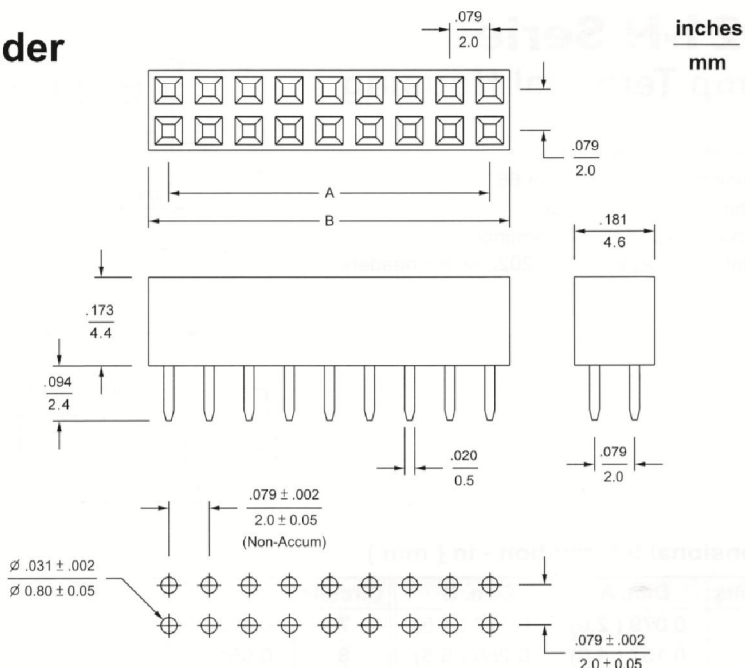
Part No.	Dim. A	Dim. B
9909-N	$2.0 \times (N - 1)$	$2.0 \times N + 0.5$

&& N = Number of contact, 2 ~ 40

P.C.B. hole dimensions

9910-N Series Dual Row Straight Header

- 4 ~ 80 circuits available
- Gold flash phosphor bronze
- Various pin lengths available



Ordering Information

Part No.	Material
9910-N-PBT	PBT, UL 94V-0
9910-N	Nylon 6T

Dimensional Information (mm)

Part No.	Dim. A	Dim. B
9910-N	$2.0 \times (N / 2 - 1)$	$N + 0.5$

&& N = Number of contact, 4 ~ 80

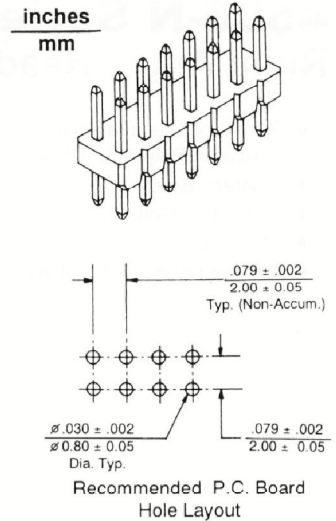
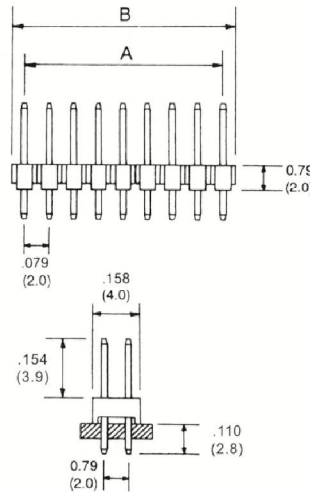
P.C.B. hole dimensions



.079" (2.0mm) Center Headers

4522-N Series Dual Row Straight Header

- PBT, UL 94V-0
- .020" (0.5mm) straight square wire pins
- Various pin lengths available
- 4-80 circuits available
- Mates with 4521, 4621 series housings
- Applicable PC board thickness: .063" (1.6mm)

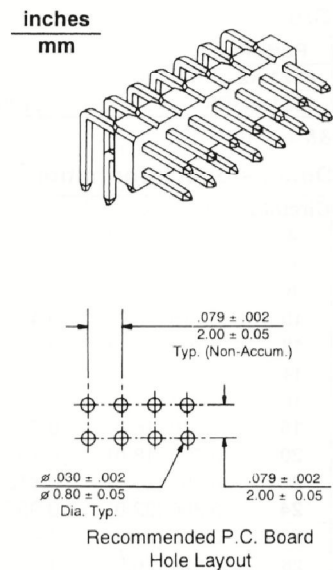
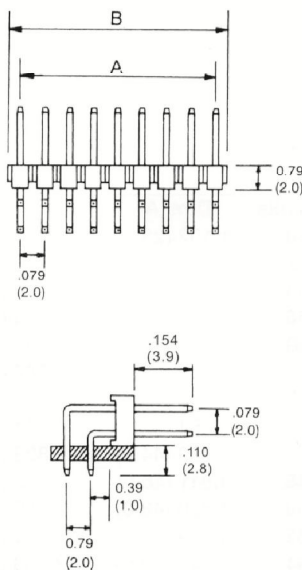


Dimensional Information - in. (mm) 4522/4523

Circuits	Dim. A	Dim. B	Circuits	Dim. A	Dim. B	Circuits	Dim. A	Dim. B
4	0.079 (2.0)	0.167 (4.0)	30	1.102 (28.0)	1.181 (30.0)	56	2.126 (54.0)	2.205 (56.0)
6	0.167 (4.0)	0.236 (6.0)	32	1.181 (30.0)	1.260 (32.0)	58	2.205 (56.0)	2.284 (58.0)
8	0.236 (6.0)	0.315 (8.0)	34	1.260 (32.0)	1.339 (34.0)	60	2.284 (58.0)	2.362 (60.0)
10	0.315 (8.0)	0.394 (10.0)	36	1.339 (34.0)	1.417 (36.0)	62	2.362 (60.0)	2.441 (62.0)
12	0.394 (10.0)	0.472 (12.0)	38	1.417 (36.0)	1.496 (38.0)	64	2.441 (62.0)	2.520 (64.0)
14	0.472 (12.0)	0.551 (14.0)	40	1.496 (38.0)	1.575 (40.0)	66	2.520 (64.0)	2.599 (66.0)
16	0.551 (14.0)	0.630 (16.0)	42	1.575 (40.0)	1.654 (42.0)	68	2.599 (66.0)	2.677 (68.0)
18	0.630 (16.0)	0.709 (18.0)	44	1.654 (42.0)	1.732 (44.0)	70	2.677 (68.0)	2.756 (70.0)
20	0.709 (18.0)	0.787 (20.0)	46	1.732 (44.0)	1.811 (46.0)	72	2.756 (70.0)	2.835 (72.0)
22	0.787 (20.0)	0.866 (22.0)	48	1.811 (46.0)	1.890 (48.0)	74	2.835 (72.0)	2.913 (74.0)
24	0.866 (22.0)	0.945 (24.0)	50	1.890 (48.0)	1.969 (50.0)	76	2.913 (74.0)	2.992 (76.0)
26	0.945 (24.0)	1.024 (26.0)	52	1.969 (50.0)	2.047 (52.0)	78	2.992 (76.0)	3.071 (78.0)
28	1.024 (26.0)	1.102 (28.0)	54	2.047 (52.0)	2.126 (54.0)	80	3.071 (78.0)	3.150 (80.0)

4523-N Series Dual Row Right Angle Header

- PBT, UL 94V-0
- .020" (0.5mm) right angle square wire pins
- Various pin lengths available
- 4-80 circuits available
- Mates with 4521, 4621 series housings
- Applicable PC board thickness: .063" (1.6mm)

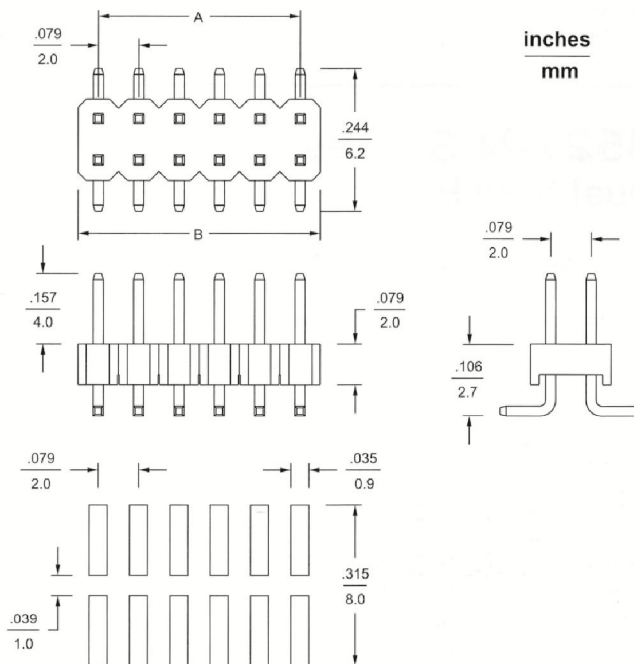




.079"(2.0mm) Dual Row Right Angle Header

4524-N Series Vertical Header, SMT

- 4 ~ 80 circuits available
- Insulator: Nylon 6T
- Contact: Brass
- Gold flash plated over nickel
- .020"(0.5mm) square pin
- Various pin lengths available
- Mates with ALEX 4521, 4621 housings



Dimensional Information (mm)

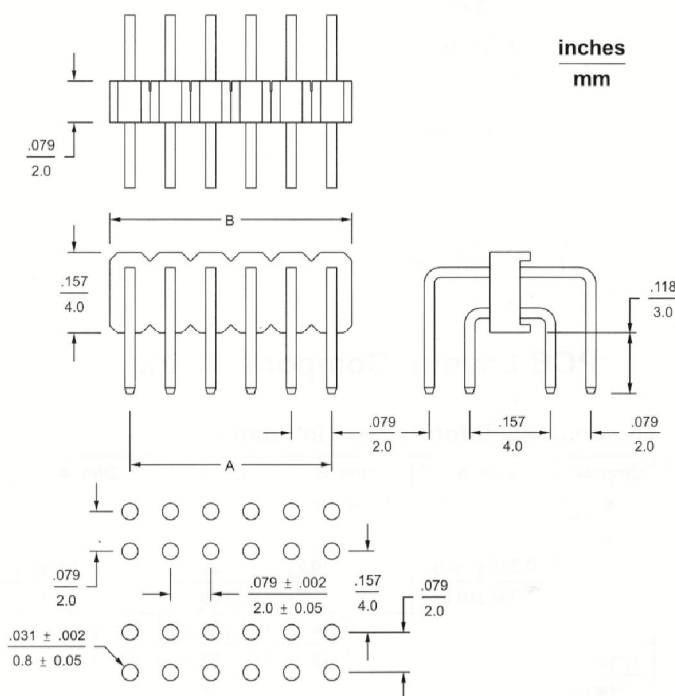
Part No.	Dim. A	Dim. B
4524-N	2.0 x (N/2 - 1)	N

&& N = 4 ~ 80

P. C. board hole dimensions

4525-N Series Right Angle Header

- 4 ~ 80 circuits available
- Insulator: PBT, UL 94V-0
- Contact: Brass
- Gold flash plated over nickel
- .020"(0.5mm) square pin
- Various pin lengths available



Dimensional Information (mm)

Part No.	Dim. A	Dim. B
4525-N	2x (N / 2 - 1)	N

&& N = 4 ~ 80

P. C. board hole dimensions