



ALEX

.012"(0.3mm) ZIF FPC/FFC Side Entry Bottom Contact SMT Type

Specifications:

- Current rating: 0.5A AC, DC
- Voltage rating: 50V AC, DC
- Temperature range: -25°C ~ 85°C
(Including temperature rise)

Ordering Information

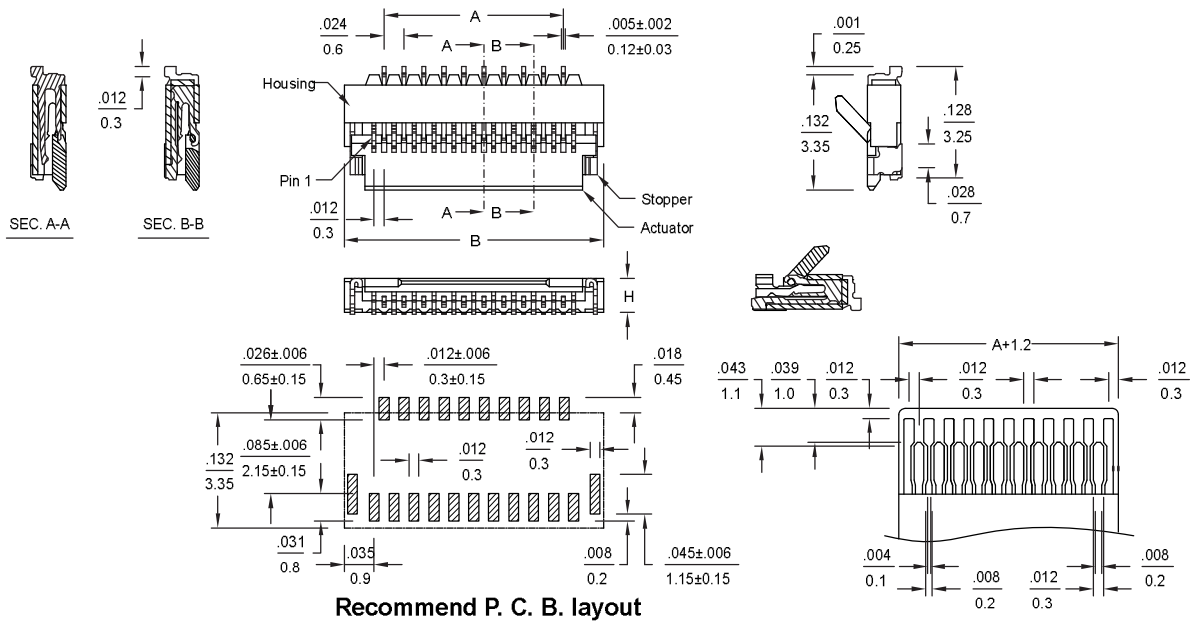
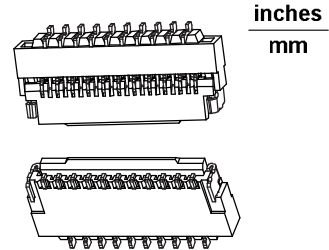
Part No.	Packing
7918-xx-x-0	Tube
7918-xx-x-1	Tape & Reel

&& xx = Number of circuits
x = Plastic height

x	Dim. H
1	0.039 (1.0)
2	0.047 (1.2)
3	0.059 (1.5)
4	0.079 (2.0)
5	0.098 (2.5)

7918-xx-x-x Series Side Entry

- 13, 15, 17,,, 41, 45, 49, 51, 57, 61, 71 circuits available
- Housing & actuator material: LCP
- Terminal material: Phosphor bronze with 3u" gold flash over nickel
- Fitting nail material: Phosphor bronze with tin over nickel



Applicable FPC thickness 0.2mm

Dimensional Information - in (mm)

Circuits	Dim. A	Dim. B	Circuits	Dim. A	Dim. B	Circuits	Dim. A	Dim. B
13	0.118 (3.0)	0.213 (5.4)	27	0.283 (7.2)	0.378 (9.6)	41	0.449 (11.4)	0.543 (13.8)
15	0.142 (3.6)	0.236 (6.0)	29	0.307 (7.8)	0.402 (10.2)	45	0.496 (12.6)	0.591 (15.0)
17	0.165 (4.2)	0.260 (6.6)	31	0.331 (8.4)	0.425 (10.8)	49	0.543 (13.8)	0.638 (16.2)
19	0.189 (4.8)	0.283 (7.2)	33	0.354 (9.0)	0.449 (11.4)	51	0.567 (14.4)	0.661 (16.8)
21	0.213 (5.4)	0.307 (7.8)	35	0.378 (9.6)	0.472 (12.0)	57	0.638 (16.2)	0.732 (18.6)
23	0.236 (6.0)	0.331 (8.4)	37	0.402 (10.2)	0.496 (12.6)	61	0.685 (17.4)	0.780 (19.8)
25	0.260 (6.6)	0.354 (9.0)	39	0.425 (10.8)	0.520 (13.2)	71	0.803 (20.4)	0.898 (22.8)