



.100"(2.54mm) IDC Socket

Specifications:

- Current rating: 1 A DC
- Voltage rating: 250V AC, DC
- Contact resistance: 30mΩ Max.
- Insulation resistance: 3000 MΩ Min.
- Dielectric withstanding voltage: 500V AC/minute
- Ambient temperature range: -40 °C ~ 105 °C (including temperature rise)
- UL file No. : E114003

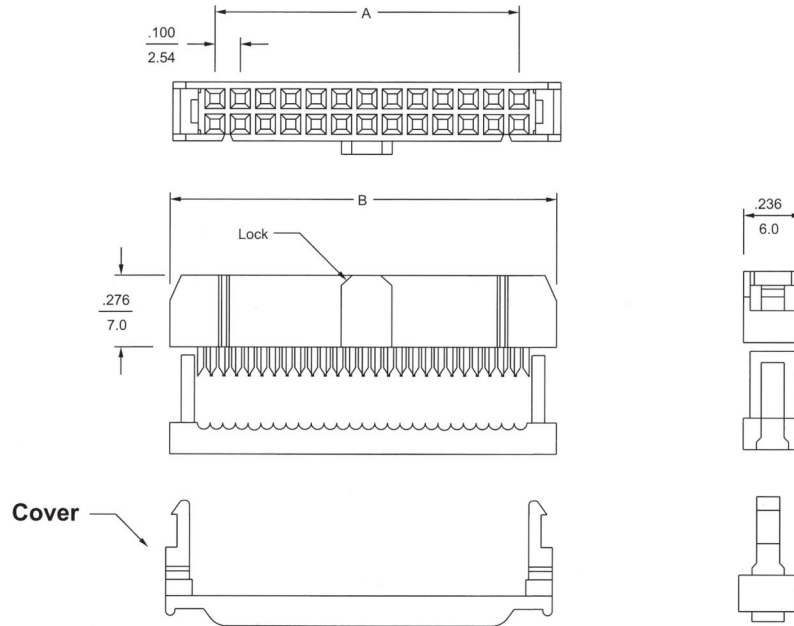
9663-xx Series IDC Socket

- 6 ~ 64 circuits available
- Material: PBT Polyester, UL 94V-0
- Pin material : Brass
- Finished: Gold-flash in contact area, other : nickel plated
- Accepts #26 ~ #28 AWG flat ribbon cable
- Mates with ALEX 4700-N,4701-N,4702-N headers

inches
mm

Ordering Information

Part No.	Feature
9663-xx	Without lock and without cover
9663-xxL	With lock but without cover
9663-xxC	Without lock but with cover
9663-xxLC	With lock and with cover



Dimensional Information - in (mm)

Circuits	Dim. A	Dim. B	Circuits	Dim. A	Dim. B	Circuits	Dim. A	Dim. B
6	0.20 (5.08)	0.480 (12.18)	16	0.70 (17.78)	0.987 (25.08)	34	1.60 (40.64)	1.883 (47.84)
8	0.30 (7.62)	0.580 (14.72)	20	0.90 (22.86)	1.189 (30.20)	40	1.90 (48.26)	2.188 (55.58)
10	0.40 (10.16)	0.685 (17.40)	24	1.10 (27.94)	1.380 (35.04)	50	2.40 (60.96)	2.683 (68.14)
12	0.50 (12.70)	0.780 (19.80)	26	1.20 (30.48)	1.484 (37.70)	60	2.90 (73.66)	3.191 (81.04)
14	0.60 (15.24)	0.884 (22.45)	30	1.40 (35.56)	1.681 (42.70)	64	3.10 (78.74)	3.380 (85.84)