



ALEX

.100"(2.54mm) Mini Jumper

Specifications:

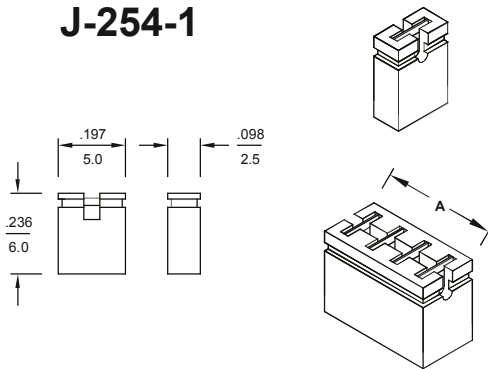
- Current rating: 3A
- Withstand voltage: AC 500V/minute
- Insulation resistance: 5000MΩMin., 500V DC/minute
- Temperature range: -40°C ~ 105°C

J-254-x Series Mini Jumper

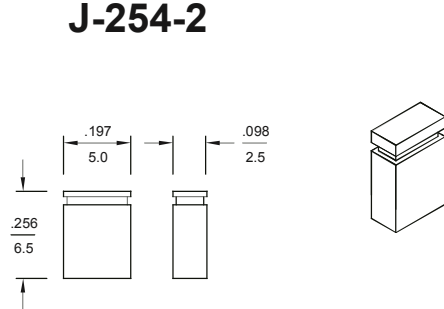
inches
mm

- Contact material: Brass
- Insulator material: Polyester, UL 94V-0
- Open type or close type
- Easiest way of programming by simply connecting contact points together.
- Easy applied-No soldering.
- All side stackable.
- Low cost alternative to DIP switch.
- Mates with ALEX 6502, 6503, 6504, 6508, 6522, 6523, 9920 headers
- Standard color: Black

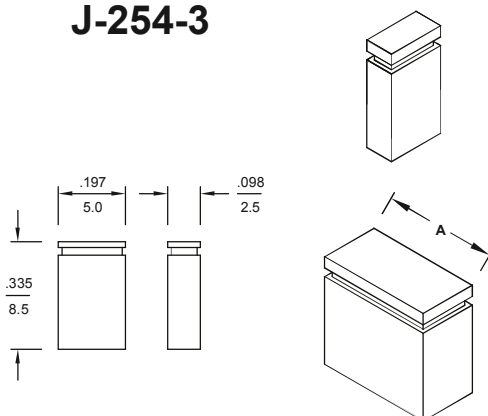
J-254-1



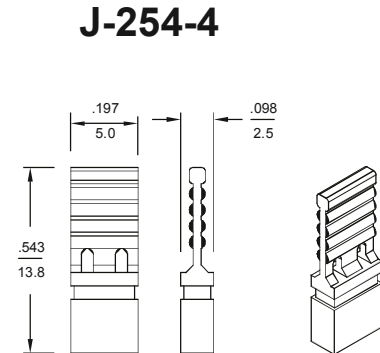
J-254-2



J-254-3



J-254-4



Note:

$$A = 2.54 \times N$$

(N = 4 ~ 20)