



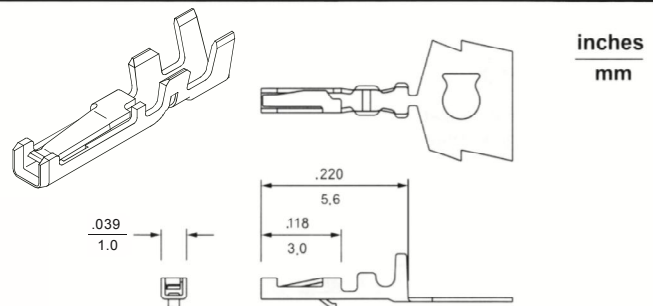
# .049"(1.25mm) Wire-to-Board Connector

## Specifications:

- Current rating: 1A AC, DC
- Voltage rating: 100V AC, DC
- Contact resistance: 20mΩ Max.
- Insulation resistance: 100MΩ Min.
- Dielectric withstanding voltage: 250V AC/minute
- Ambient temperature range: -25 °C ~ 85 °C (including temperature rise)
- UL file No. : E114003

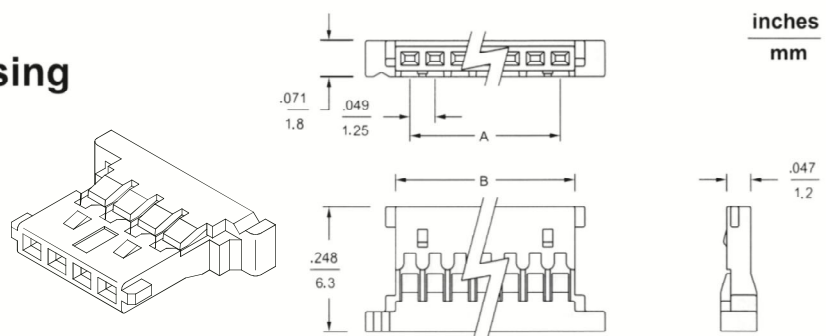
## 9826T Series Crimp Terminal

- Material: Phosphor bronze
- Finished: Gold-flash ( 10u" )
- Used in ALEX 9827-N housing
- Wire range: #28 ~ #32 AWG
- Thickness: 0.15mm



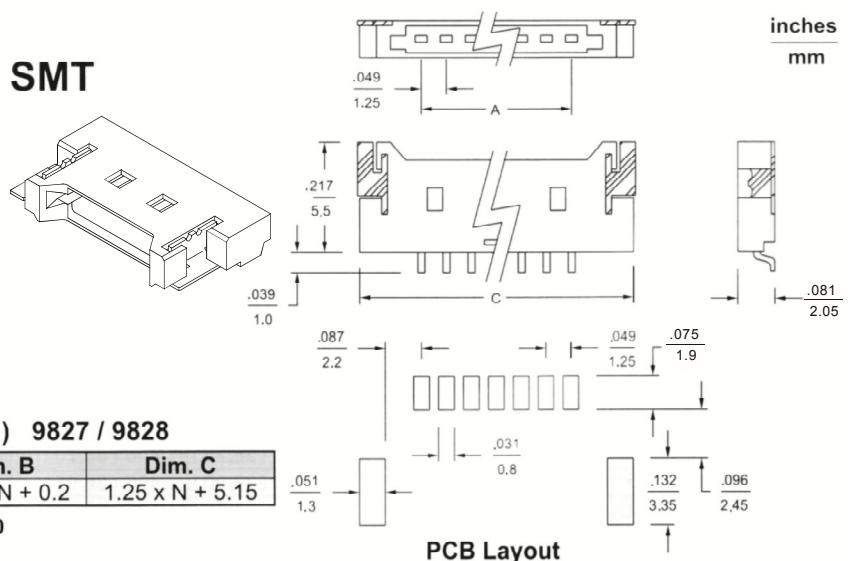
## 9827-N Series Crimp Terminal Housing

- 2 ~ 30 circuits available
- Material: PBT UL 94V-0
- Accepts ALEX 9826T terminal
- Mates with ALEX 9828-N header



## 9828-N Series Right Angle Header, SMT

- 2 ~ 30 circuits available
- Material: LCP , UL 94V-0
- Tin-plated phosphor bronze
- Mates with ALEX 9827-N housing



### Dimensional Information ( mm ) 9827 / 9828

Circuits	Dim. A	Dim. B	Dim. C
N	1.25 x ( N - 1 )	1.25 x N + 0.2	1.25 x N + 5.15

&& N = 2 ~ 16, 18, 20, 22, 24, 26, 28, 30