



ALEX

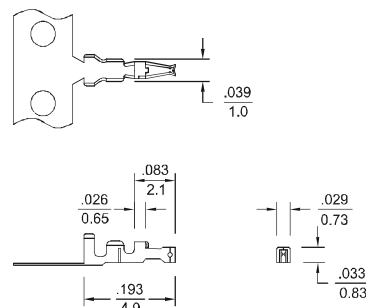
.049"(1.25mm) Wire to Board Connector

Specification

- Current rating: 1AAC
- Voltage rating: 250V AC
- Insulation resistance: 1000M Ω Min.
- Dielectric withstanding voltage: 500V/minute
- Temperature range: -25°C ~ 85°C
(Including temperature rise)

9851T Crimp Terminal

- Material: Phosphor Bronze
- Thickness: 0.15mm
- Finished: Tin-plated
- Wire range: #28 ~ #32 AWG
- Used in ALEX 9852-N housing



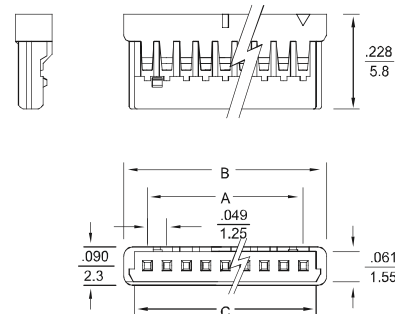
inches
mm

9852-N Series Crimp Terminal Housing

- 20, 25, 30 circuits available
- Material: UL 94V-0 nylon 66
- Accepts ALEX 9851T terminal
- Mates with ALEX 9853-N header

Dimensional Information

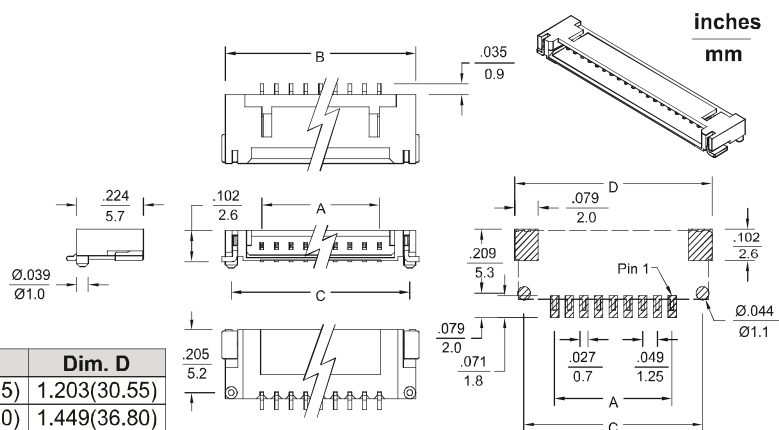
Circuits	Dim. A	Dim. B	Dim. C
20	0.935(23.75)	1.061(26.95)	1.002(25.45)
25	1.181(30.00)	1.307(33.20)	1.248(31.70)
30	1.427(36.25)	1.553(39.45)	1.494(37.95)



inches
mm

9853-N Series Right Angle Header, SMT

- 20, 25, 30 circuits available
- Material: High-Temp thermoplastic UL 94V-0
- Tin-plated brass
- Mates with ALEX 9852-N housing



inches
mm

Dimensional Information

Circuits	Dim. A	Dim. B	Dim. C	Dim. D
20	0.935(23.75)	1.179(29.95)	1.140(28.95)	1.203(30.55)
25	1.181(30.00)	1.425(36.20)	1.386(35.20)	1.449(36.80)
30	1.427(36.25)	1.671(42.45)	1.632(41.45)	1.695(43.05)