



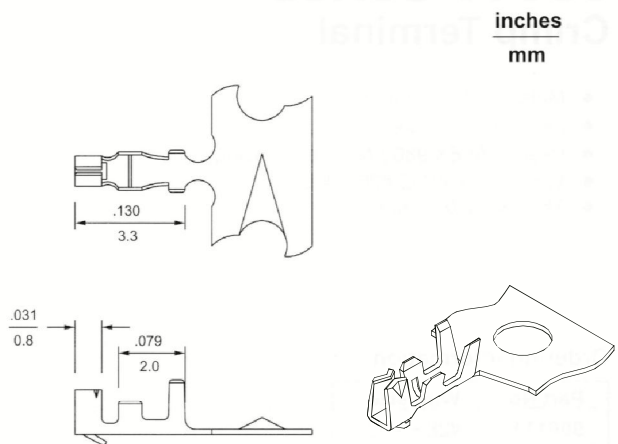
.049"(1.25mm) Pitch Wire-to-Board Crimp Terminal Housing

Specifications:

- Current rating: 1A (0.8A for #32 AWG)
- Voltage rating: 125V
- Dielectric withstanding voltage: 250V AC/minute
- Recommended P.C.B. thickness: .031"(0.8mm)
- Insulation resistance: 100MΩ min.
- Contact resistance: 20mΩ max.
- Ambient temperature range: -40 °C ~ 85 °C (including temperature rise)
- UL File No: E114003

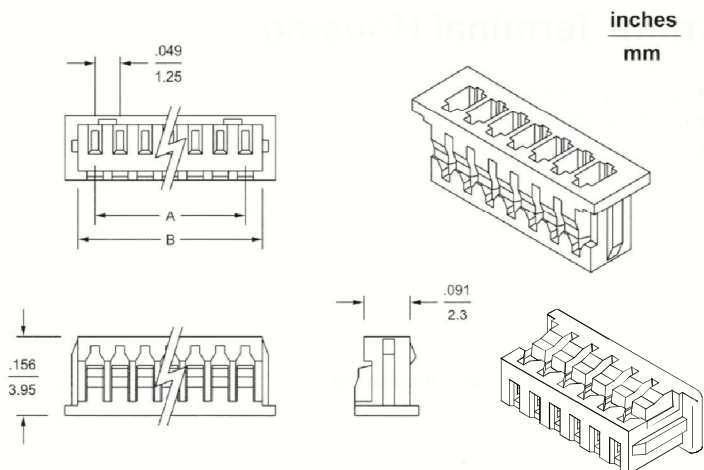
9858T Series Crimp Terminal

- Material: Phosphor bronze
- Finished: Tin-plated
- Used in ALEX 9821-N series housing
- Wire range: AWG #28 ~ #32
- Thickness: 0.15mm



9821-N Series Receptacle Housing

- 2 ~ 15 circuits available
- Material: UL 94V-0 nylon 66
- Accepts ALEX 9858T terminal
- Mates with ALEX 9822-N series housing
- Mates with ALEX 9847, 9848, 9849, 9850 series headers



Dimensional Information - in (mm)

Circuits	Dim. A	Dim. B	Circuits	Dim. A	Dim. B	Circuits	Dim. A	Dim. B
2	.049 (1.25)	.116 (2.95)	7	.295 (7.50)	.362 (9.20)	12	.541 (13.75)	.608 (15.45)
3	.098 (2.50)	.165 (4.20)	8	.344 (8.75)	.411 (10.45)	13	.591 (15.00)	.657 (16.70)
4	.148 (3.75)	.215 (5.45)	9	.394 (10.00)	.461 (11.70)	14	.640 (16.25)	.707 (17.95)
5	.197 (5.00)	.264 (6.70)	10	.443 (11.25)	.510 (12.95)	15	.689 (17.50)	.756 (19.20)
6	.246 (6.25)	.313 (7.95)	11	.492 (12.50)	.560 (14.20)			



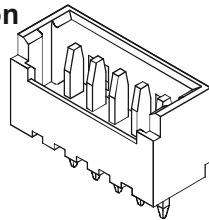
.049"(1.25mm) Pitch Wire-to-Board Headers

9847-N Series Vertical Header

- 2 ~ 15 circuits available
- Material: UL 94V-0 nylon 66
- Finished: Tin-plated phosphor bronze
- Mates with ALEX 9821-N housing
- UL file No.: E114003

Ordering Information

Part No.	Dim. L
9847-xx-A-2.3	2.3
9847-xx-B-2.3	2.3
9847-xx-A-3.0	3.0
9847-xx-B-3.0	3.0
9847-xx-A-3.2	3.2
9847-xx-B-3.2	3.2

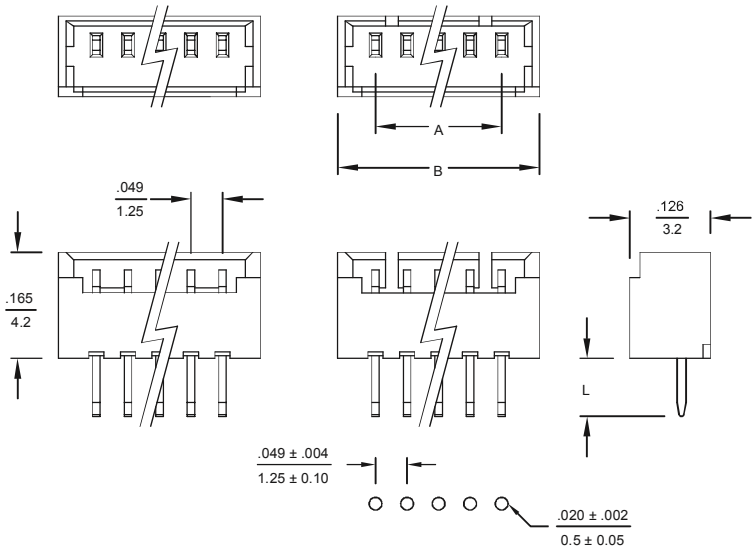


&& xx = 2 ~ 15

9847-xx-A-L

9847-xx-B-L

inches
mm



P. C. board hole dimension

9848-N Series Right Angle Header

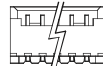
- 2 ~ 15 circuits available
- Material: UL 94V-0 nylon 66
- Finished: Tin-plated phosphor bronze
- Mates with ALEX 9821-N housing
- UL file No.: E114003

9848-xx-A-L

9848-xx-B-L

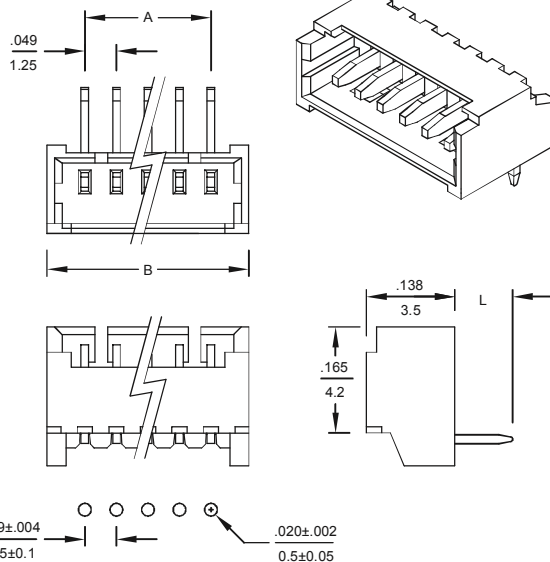
9848-xx-AS-L

9848-xx-BS-L



9848-xx-B-L

inches
mm



P. C. board hole dimension

Ordering Information (mm)

Part No.	9848-xx-x-L	
	x: Type	L: Dim. L
Description	A	2.3
	B	3.0
	AS	3.2
	BS	3.2

&& xx = 02 ~ 15

Dimensional Information (mm) 9847/9848

Circuits	Dim. A	Dim. B
N	1.25 x (N - 1)	1.25 x N + 1.75

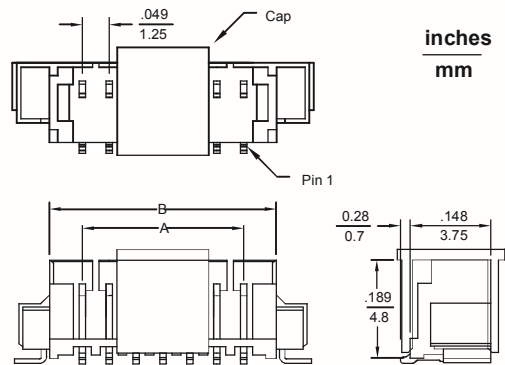
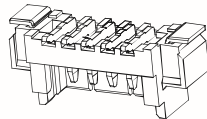
&& N = 2 ~ 15



.049"(1.25mm) Pitch Wire-to-Board Headers

9849-N Series Vertical Header, SMT

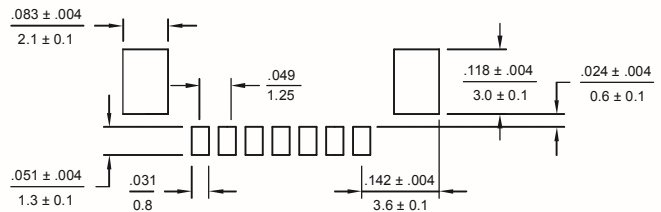
- 2 ~ 15 circuits available
- Material: LCP
- Finished: Tin-plated brass
- Mates with ALEX 9821-N housing
- UL file No.: E114003



Ordering Information

Part No.	Feature
9849-xx	Without Cap
9849-xx-cap	With Cap

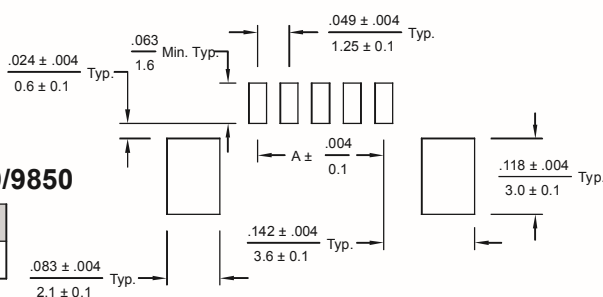
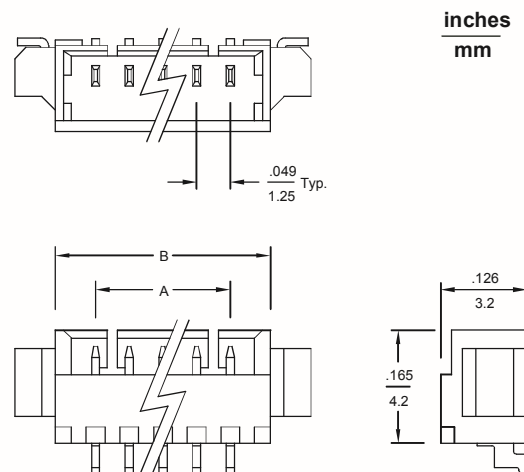
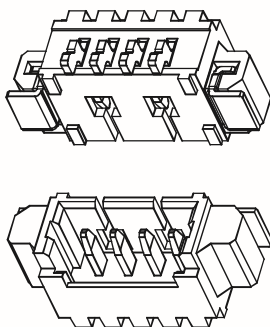
&& xx = 2 ~ 16



PCB Layout: Solider side

9850-N Series Right Angle Header, SMT

- 2 ~ 15 circuits available
- Material: LCP
- Finished: Tin-plated brass
- Mates with ALEX 9821-N housing
- UL file No.: E114003



PCB Layout: Solider side

Dimensional Information (mm) 9849/9850

Circuits	Dim. A	Dim. B
N	1.25 x (N - 1)	1.25 x N + 1.75

&& N = 2 ~ 15