



ALEX

.059"(1.5mm) Crimp Terminal Housing

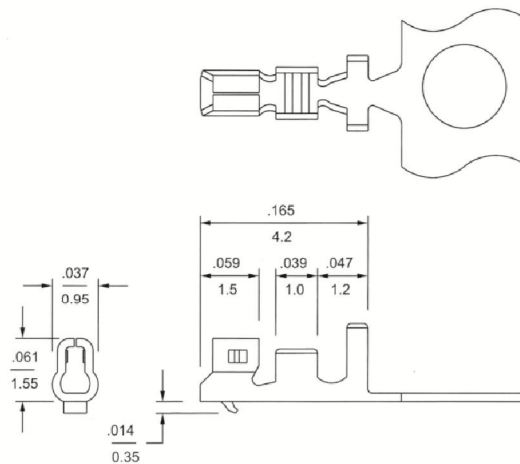
Specifications:

- Current rating: 0.7A AC, DC (AWG #28)
- Voltage rating: 50V AC, DC
- Withstanding voltage: 500V AC/minute
- Insulation resistance: 500MΩ min.
- Contact resistance: Initial value / 20m Ω max.
After environmental testing / 30m Ω max.
- Temperature rise: -25 °C ~ 85 °C max.
(including temperature rise)
- UL file No. : E114003

1501T Series Crimp Terminal

inches
mm

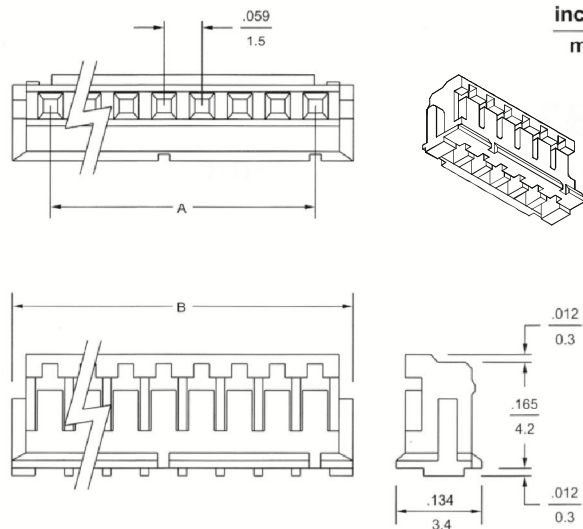
- Material: Phosphor bronze
- Finished: Tin-plated
- Used in ALEX 1502-N series housing
- Wire range: AWG #28 ~ #32
- Thickness: 0.2mm



1502-N Series Crimp Terminal Housing

inches
mm

- 2 ~ 13 circuits available
- Material: Nylon 66, UL 94V-0
- Standard color: White
- Accepts ALEX 1501T series terminals
- Mates with ALEX 1503, 1504, 1505, 1506, 1507 series headers



Dimensional Information - in (mm)

Circuits	Dim. A	Dim. B	Circuits	Dim. A	Dim. B	Circuits	Dim. A	Dim. B
2	0.059 (1.5)	0.177 (4.5)	6	0.295 (7.5)	0.413 (10.5)	10	0.531 (13.5)	0.650 (16.5)
3	0.118 (3.0)	0.236 (6.0)	7	0.354 (9.0)	0.472 (12.0)	11	0.591 (15.0)	0.709 (18.0)
4	0.177 (4.5)	0.295 (7.5)	8	0.413 (10.5)	0.531 (13.5)	12	0.650 (16.5)	0.768 (19.5)
5	0.236 (6.0)	0.354 (9.0)	9	0.472 (12.0)	0.591 (15.0)	13	0.709 (18.0)	0.827 (21.0)

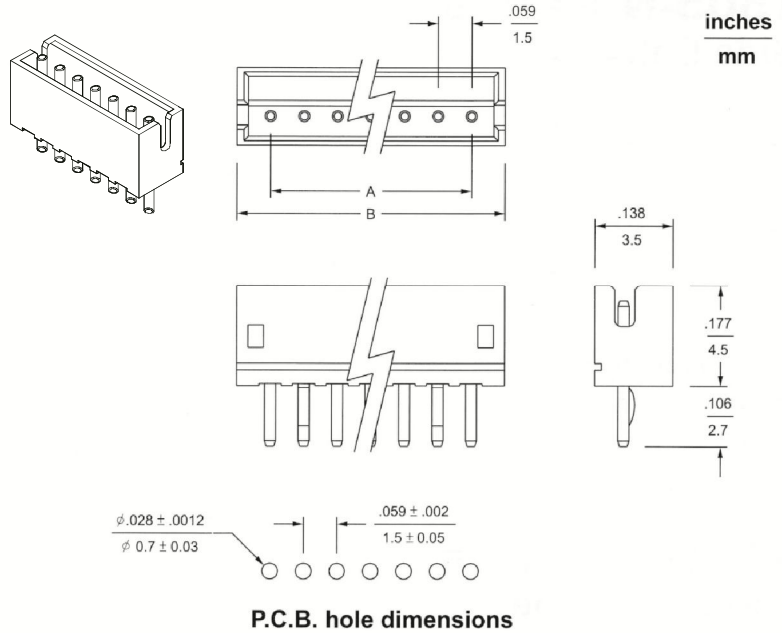


ALEX

.059"(1.5mm) Center Headers

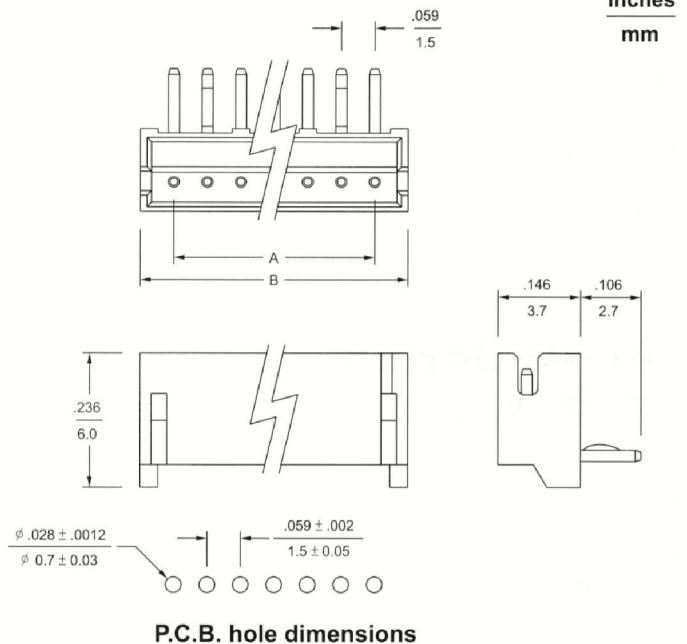
1503-N Series Vertical Header

- 2 ~ 13 circuits available
- Contact: Tin-plated brass
- Insulation: Nylon 66, UL 94V-0
- Standard color: Nature
- Mates with ALEX 1502-N series housing



1504-N Series Right Angle Header

- 2 ~ 13 circuits available
- Contact: Tin-plated brass
- Insulation: Nylon 66, UL 94V-0
- Standard color: Nature
- Mates with ALEX 1502-N series housing



Dimensional Information - in (mm) 1503/1504

Circuits	Dim. A	Dim. B	Circuits	Dim. A	Dim. B	Circuits	Dim. A	Dim. B
2	0.059 (1.5)	0.177 (4.5)	6	0.295 (7.5)	0.413 (10.5)	10	0.531 (13.5)	0.650 (16.5)
3	0.118 (3.0)	0.236 (6.0)	7	0.354 (9.0)	0.472 (12.0)	11	0.591 (15.0)	0.709 (18.0)
4	0.177 (4.5)	0.295 (7.5)	8	0.413 (10.5)	0.531 (13.5)	12	0.650 (16.5)	0.768 (19.5)
5	0.236 (6.0)	0.354 (9.0)	9	0.472 (12.0)	0.591 (15.0)	13	0.709 (18.0)	0.827 (21.0)



ALEX

.059"(1.5mm) SMT Type Shrouded Header

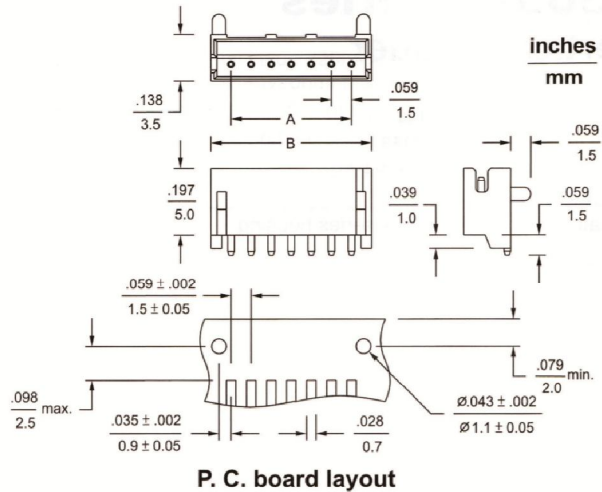
1505-N Series Side Entry Type

- 2 ~ 13 circuits available
- Contact: Tin-plated brass
- Insulation: Nylon 46, UL 94V-0
- Standard color: Natural (ivory)
- Mates with ALEX 1502-N series housing

Dimensional Information (mm)

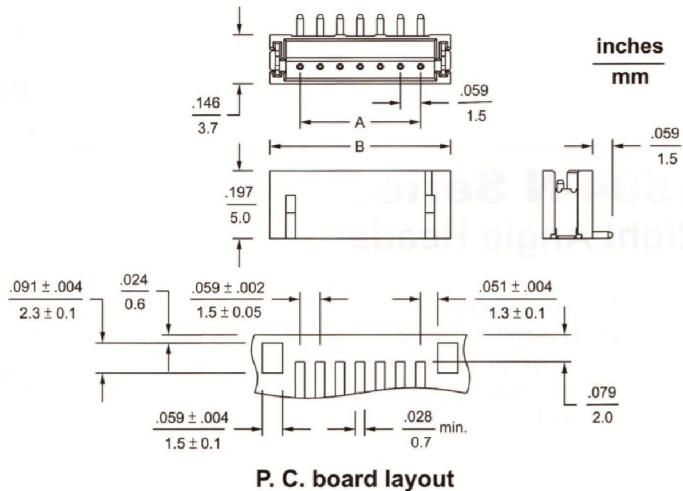
Circuits	Dim. A	Dim. B
N	1.5 x (N - 1)	1.5 x (N + 1)

&& N = Number of contact, 2 ~ 13



1506-N Series Top Entry Type

- 2 ~ 13 circuits available
- Contact: Tin-plated brass
- Insulation: Nylon 46, UL 94V-0
- Standard color: Natural (ivory)
- Mates with ALEX 1502-N series housing



1507-N Series Side Entry Type

- 2 ~ 13 circuits available
- Contact: Tin-plated brass
- Insulation: Nylon 9T, UL 94V-0
- Standard color: Natural (ivory)
- Mates with ALEX 1502-N series housing

Dimensional Information (mm) 1506/1507

Circuits	Dim. A	Dim. B
N	1.5 x (N - 1)	1.5 x (N + 2)

&& N = Number of contact, 2 ~ 13

