



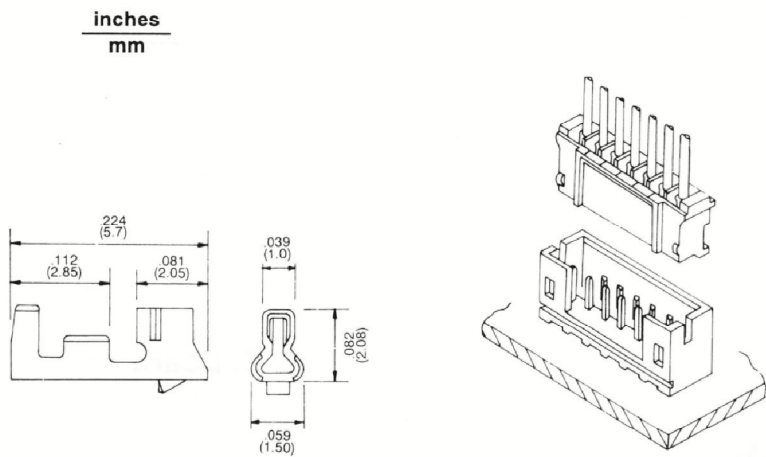
.079" (2.0 mm) Ultra - Small Connectors

Specifications

- Current rating: 2A AC, DC
- Voltage rating: 100V AC, DC
- Temperature range: -25°C ~ +85°C (including temperature rise)
- Contact resistance: Initial value/10mΩ max. After environmental testing/20mΩ max.
- Insulation resistance: 1,000MΩ min.
- Withstand voltage: 800V AC/minute
- Applicable wires: AWG #30 ~ #24
- Applicable PC board thickness: .031" ~ .063" (0.8 ~ 1.6mm)
- UL File No. : E114003

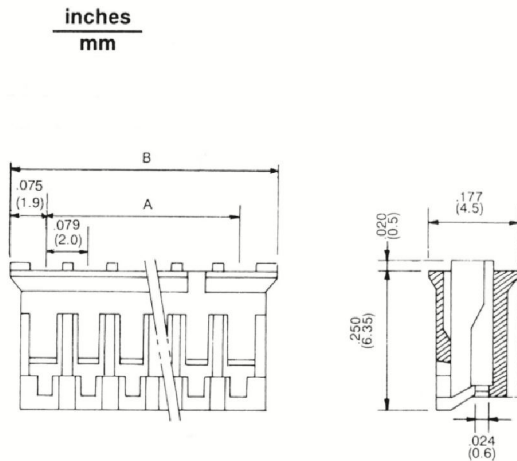
2015T Series Crimp Terminal

- Used in 2016 series housing
- Applicable wires: AWG #30 ~ #24
- Material: Tin-plated phosphor bronze
- Insulation O.D.: .035" (0.9mm) ~ .059" (1.5mm)



2016-N Series Polarizing Housing

- Material: 94V-0 nylon66
- 2-16 circuits available
- Standard color: white
- Accepts 2015T terminal
- Mates with 2017, 2018, 2017-xxSM, 2018-xxSM headers



Dimensional Information - in. (mm)

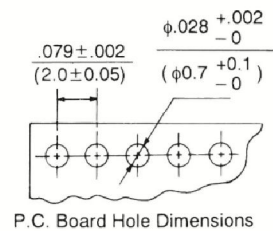
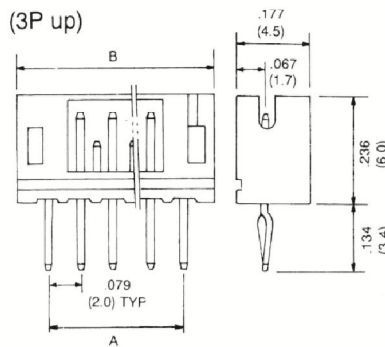
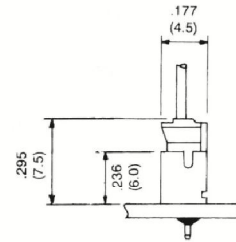
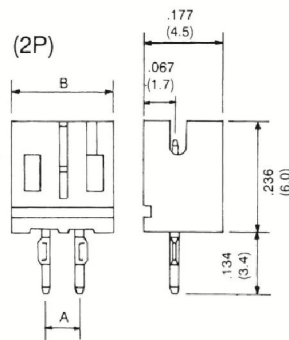
Circuits	Dim. A	Dim. B	Circuits	Dim. A	Dim. B
2	.079 (2.0)	.228 (5.8)	10	.709 (18.0)	.858 (21.8)
3	.157 (4.0)	.307 (7.8)	11	.787 (20.0)	.937 (23.8)
4	.236 (6.0)	.386 (9.8)	12	.866 (22.0)	1.016 (25.8)
5	.315 (8.0)	.465 (11.8)	13	.945 (24.0)	1.094 (27.8)
6	.394 (10.0)	.543 (13.8)	14	1.024 (26.0)	1.173 (29.8)
7	.472 (12.0)	.622 (15.8)	15	1.102 (28.0)	1.252 (31.8)
8	.551 (14.0)	.701 (17.8)	16	1.181 (30.0)	1.331 (33.8)
9	.630 (16.0)	.780 (19.8)			



.079" (2.0 mm) Center Headers

2017-N Series Straight Pin Friction Lock Header

- 94V-0 nylon 66
- .020"(0.50mm) square pin
- Tin-plated brass pin
- 2-16 circuits available
- Mates with 2016 series housing



inches
mm

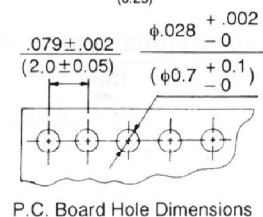
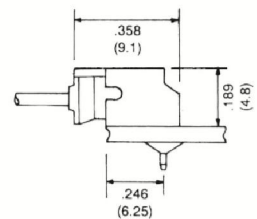
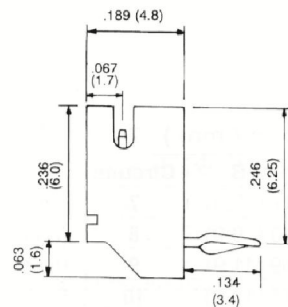
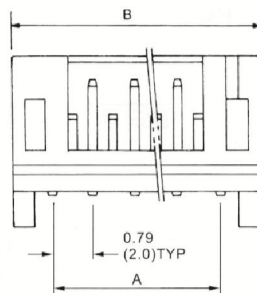
Dimensional Information - in. (mm)

Circuits	Dim. A	Dim. B	Circuits	Dim. A	Dim. B
2	.079 (2.0)	.236(6.0)	10	.709 (18.0)	.866(22.0)
3	.157 (4.0)	.315(8.0)	11	.787 (20.0)	.945(24.0)
4	.236 (6.0)	.394(10.0)	12	.866 (22.0)	1.024(26.0)
5	.315 (8.0)	.472(12.0)	13	.945 (24.0)	1.102(28.0)
6	.394 (10.0)	.551(14.0)	14	1.024 (26.0)	1.181(30.0)
7	.472 (12.0)	.630(16.0)	15	1.102 (28.0)	1.260(32.0)
8	.551 (14.0)	.709(18.0)	16	1.181 (30.0)	1.339(34.0)
9	.630 (16.0)	.787(20.0)			

2018-N Series Right Angle Pin Friction Lock Header

- 94V-0 nylon 66
- .020"(0.50mm) square pin
- Tin-plated brass pin
- 2-16 circuits available
- Mates with 2016 series housing

inches
mm

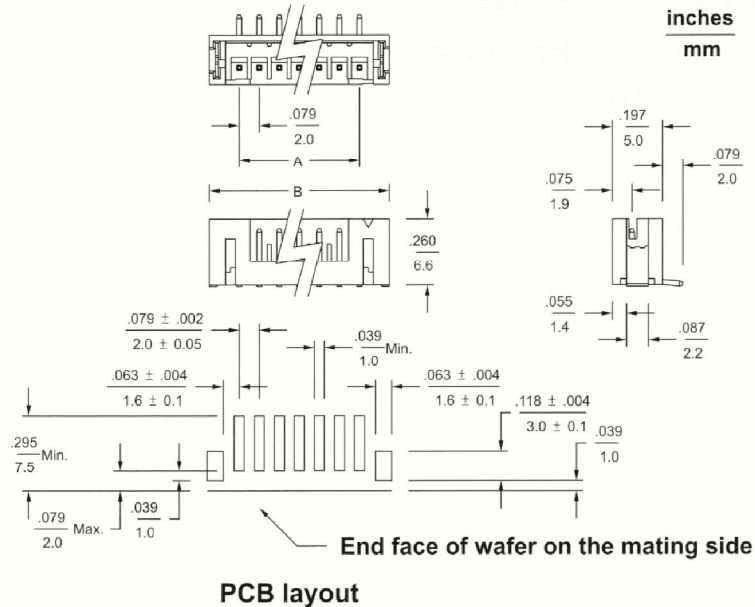




.079"(2.0mm) SMT Type Shrouded Header

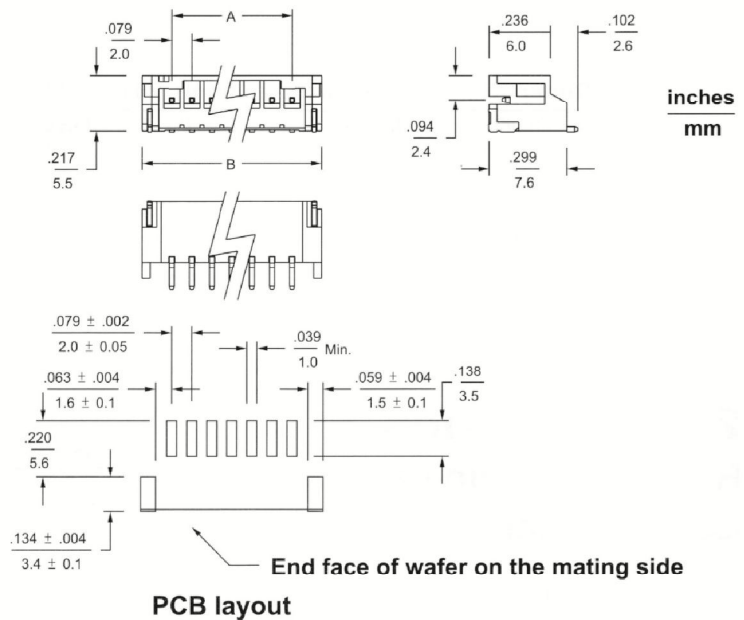
2017-xxSM Top Entry Type

- 2 ~ 16 circuits available
- Material: UL 94V-0 nylon 6T
- .020"(0.5mm) square pin
- Tin-plated brass pin
- Mates with ALEX 2016-N housing



2018-xxSM Side Entry Type

- 2 ~ 16 circuits available
- Material: UL 94V-0 nylon 6T
- .020"(0.5mm) square pin
- Tin-plated brass pin
- Mates with ALEX 2016-N housing



Dimensional Information - in (mm) 2017-xxSM / 2018-xxSM

Circuits	Dim. A	Dim. B	Circuits	Dim. A	Dim. B	Circuits	Dim. A	Dim. B
2	0.079 (2.0)	0.311 (7.9)	7	0.472 (12.0)	0.705 (17.9)	12	0.866 (22.0)	1.098 (27.9)
3	0.157 (4.0)	0.390 (9.9)	8	0.551 (14.0)	0.783 (19.9)	13	0.945 (24.0)	1.177 (29.9)
4	0.236 (6.0)	0.469 (11.9)	9	0.630 (16.0)	0.862 (21.9)	14	1.024 (26.0)	1.256 (31.9)
5	0.315 (8.0)	0.547 (13.9)	10	0.709 (18.0)	0.941 (23.9)	15	1.102 (28.0)	1.335 (33.9)
6	0.394 (10.0)	0.626 (15.9)	11	0.787 (20.0)	1.020 (25.9)	16	1.181 (30.0)	1.413 (35.9)