



**ALEX**

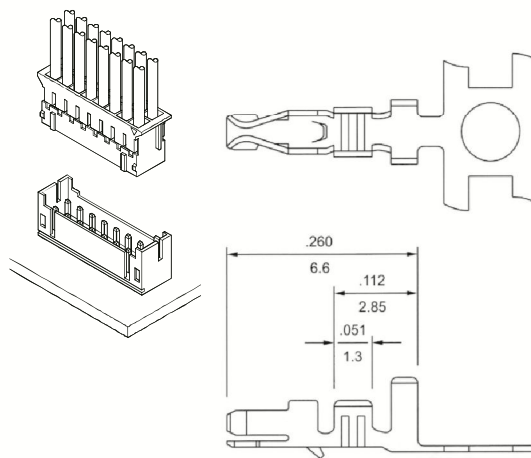
# .079"(2.0mm) Crimp Terminal Housing

## Specifications:

- Current rating: 3AAC, DC
- Voltage rating: 250V AC, DC
- Withstanding voltage: 800V AC/minute
- Insulation resistance: 1000MΩ min.
- Contact resistance: Initial value / 10m Ω max.  
After environmental testing / 20m Ω max.
- Temperature rise: -25 °C ~ 85 °C max.  
(including temperature rise)
- UL file No.: E114003

## 2025T Series Crimp Terminal

- Material: Phosphor bronze
- Finished: Tin-plated
- Used in ALEX 2026-N, 2046-N housings
- Wire range: AWG #22 ~ #28
- Thickness: 0.2mm
- UL file No.: E114003

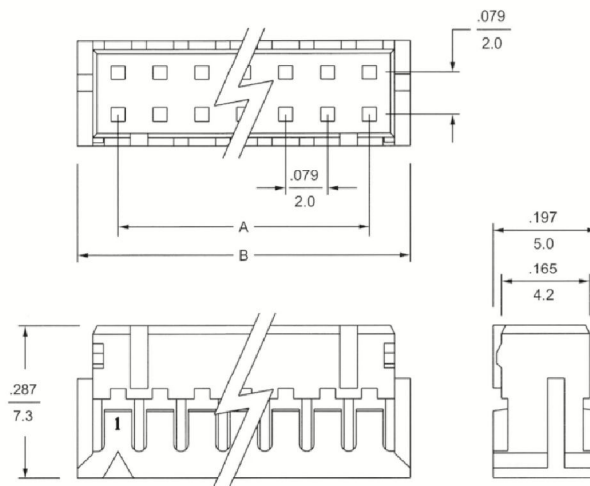


### Ordering Information

Part No.	Wire size
2025T1	#24 ~ #28 AWG
2025T2	#22 ~ #26 AWG

## 2026-N Series Crimp Terminal Housing

- 4 ~ 32 circuits available
- Material: Nylon 66, UL 94V-0
- Standard color: White
- Accepts ALEX 2025T terminal
- Mates with ALEX 2027, 2028 series headers
- UL file No.: E114003



### Dimensional Information - in (mm)

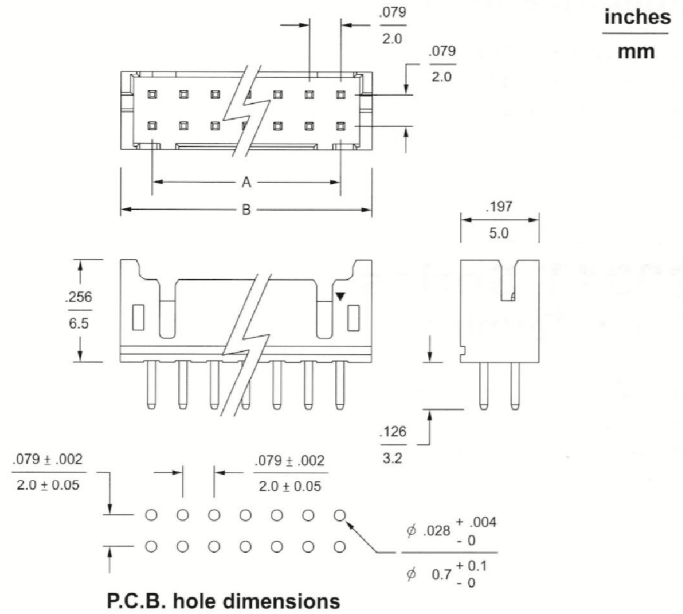
Circuits	Dim.A	Dim.B	Circuits	Dim.A	Dim.B	Circuits	Dim.A	Dim.B
4	0.079 ( 2.0)	0.232 ( 5.9)	14	0.472 (12.0)	0.626 (15.9)	24	0.866 (22.0)	1.020 (25.9)
6	0.157 ( 4.0)	0.311 ( 7.9)	16	0.551 (14.0)	0.705 (17.9)	26	0.945 (24.0)	1.098 (27.9)
8	0.236 ( 6.0)	0.390 ( 9.9)	18	0.630 (16.0)	0.783 (19.9)	28	1.024 (26.0)	1.177 (29.9)
10	0.315 ( 8.0)	0.469 (11.9)	20	0.709 (18.0)	0.862 (21.9)	30	1.102 (28.0)	1.256 (31.9)
12	0.394 (10.0)	0.547 (13.9)	22	0.787 (20.0)	0.941 (23.9)	32	1.181 (30.0)	1.335 (33.9)



# .079"(2.0mm) Center Headers

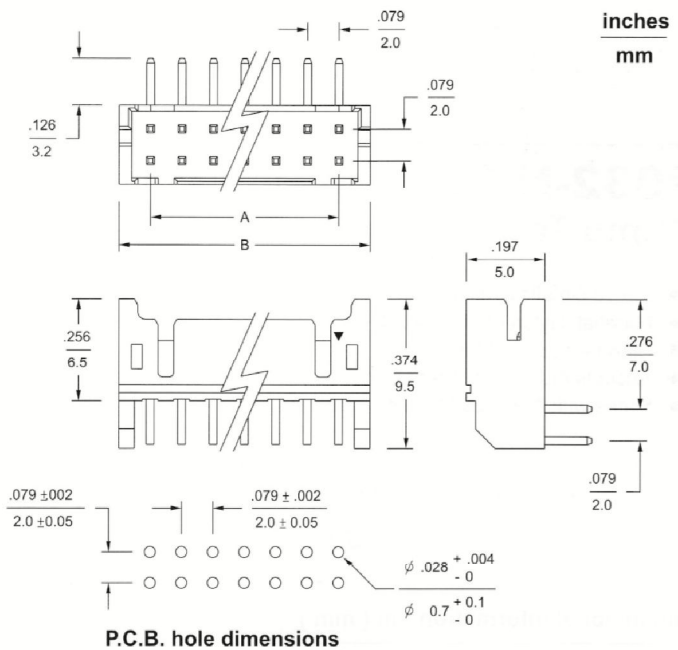
## 2027-N Series Vertical Header

- 4 ~ 32 circuits available
- .020" (0.5mm) square pins
- Contact: Tin-plated brass
- Insulation: Nylon 66, UL 94V-0
- Standard color: Nature
- Mates with ALEX 2026-N series housing
- UL file No.: E114003



## 2028-N Series Right Angle Header

- 4 ~ 32 circuits available
- .020" (0.5mm) square pins
- Contact: Tin-plated brass
- Insulation: Nylon 66, UL 94V-0
- Standard color: Nature
- Mates with ALEX 2026-N series housing
- UL file No.: E114003



Dimensional Information - in ( mm ) 2027/2028

Circuits	Dim.A	Dim.B	Circuits	Dim.A	Dim.B	Circuits	Dim.A	Dim.B
4	0.079 ( 2.0)	0.236 ( 6.0)	14	0.472 (12.0)	0.630 (16.0)	24	0.866 (22.0)	1.024 (26.0)
6	0.157 ( 4.0)	0.315 ( 8.0)	16	0.551 (14.0)	0.709 (18.0)	26	0.945 (24.0)	1.102 (28.0)
8	0.236 ( 6.0)	0.394 (10.0)	18	0.630 (16.0)	0.787 (20.0)	28	1.024 (26.0)	1.181 (30.0)
10	0.315 ( 8.0)	0.472 (12.0)	20	0.709 (18.0)	0.866 (22.0)	30	1.102 (28.0)	1.260 (32.0)
12	0.394 ( 10.0)	0.551 (14.0)	22	0.787 (20.0)	0.945 (24.0)	32	1.181 (30.0)	1.339 (34.0)