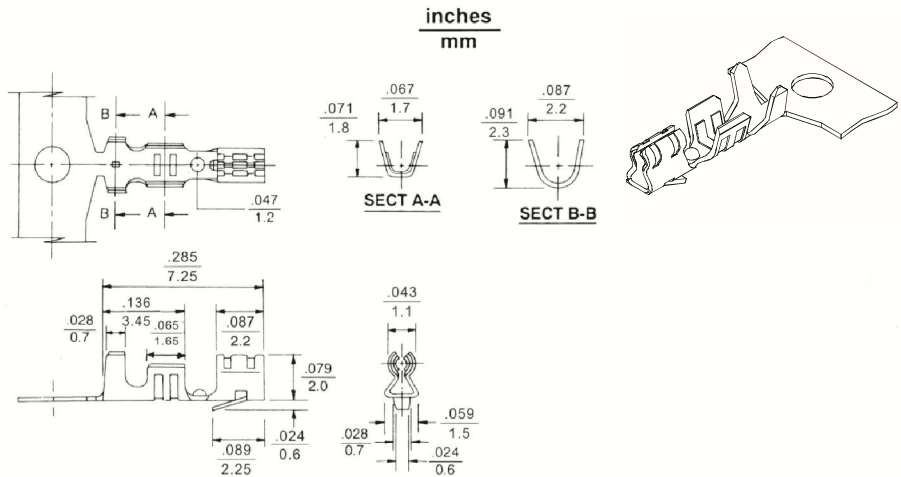




.098" (2.5mm) Crimp Housing

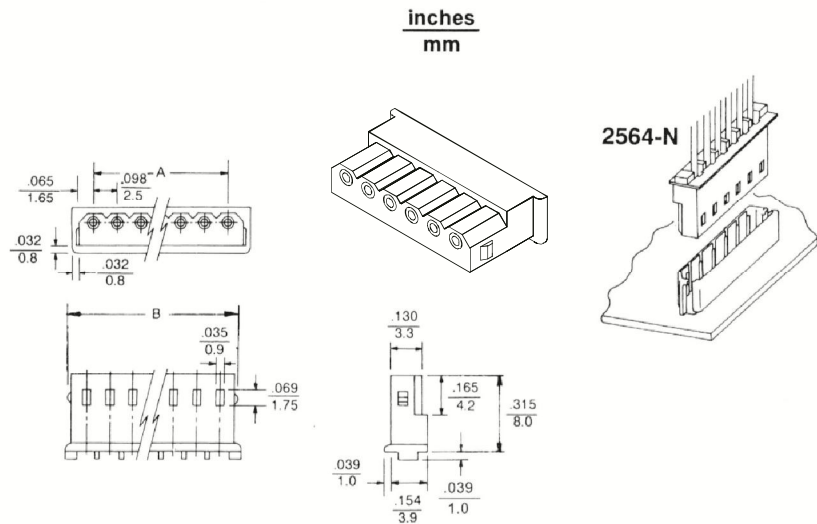
25T Series Crimp Terminal

- Very low profile
- Material: Pre-tinned phosphor bronze
- Used in 2564 housing
- Anti-fishhooking design
- Box protects pin contact area from contamination during handling
- Wire range AWG #22 ~ #28
- Insulation diameter ϕ 1.9mm (.075") max
- UL File No.: E 114003
- CSA File No.: LR 86545



2564-N Series Shrouded Crimp Terminal Housing

- Very low profile
- 2-20 Circuits
- UL 94V-0 nylon 6/6
- Accepts Alex 25T terminal
- Mates with 2567-NA, 2568-NA wafers polarized
- Molded-in pull tabs
- Friction lock
- UL File No.: E 114003
- CSA File No.: LR 86545



Dimensional & Ordering Information-mm (in)

Circuits	Part No.	Dim. A	Dim. B	Circuits	Part No.	Dim. A	Dim. B
2	2564-02	2.5 (.098)	6.4 (.254)	12	2564-12	27.5 (1.083)	31.4 (1.236)
3	2564-03	5.0 (.197)	8.9 (.350)	13	2564-13	30.0 (1.181)	33.9 (1.335)
4	2564-04	7.5 (.295)	11.4 (.449)	14	2564-14	32.5 (1.280)	36.4 (1.433)
5	2564-05	10.0 (.394)	13.9 (.547)	15	2564-15	35.0 (1.378)	38.9 (1.532)
6	2564-06	12.5 (.492)	16.4 (.646)	16	2564-16	37.5 (1.476)	41.4 (1.630)
7	2564-07	15.0 (.591)	18.9 (.744)	17	2564-17	40.0 (1.574)	43.9 (1.728)
8	2564-08	17.5 (.689)	21.4 (.843)	18	2564-18	42.5 (1.672)	46.4 (1.827)
9	2564-09	20.0 (.787)	23.9 (.941)	19	2564-19	45.0 (1.770)	48.9 (1.925)
10	2564-10	22.5 (.886)	26.4 (1.039)	20	2564-20	47.5 (1.868)	51.4 (2.024)
11	2564-11	25.0 (.984)	28.9 (1.138)				

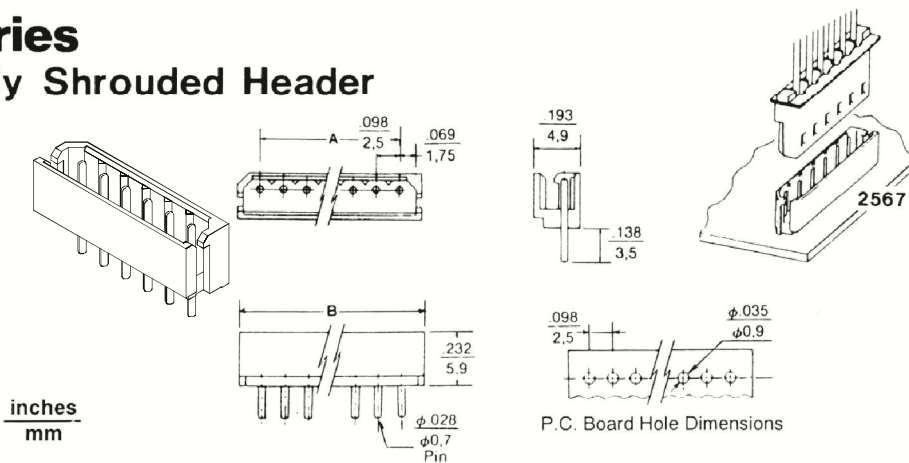


ALEX

.098" (2.5mm) Headers

2567-NA Series Straight Pin Fully Shrouded Header

- 2-20 Circuits
- UL 94V-0 nylon 6/6
- Tin plated brass pins
- .027" (0,7mm) straight round pins
- Polarized
- Mates with 2564 series housing
- Friction lock
- UL File No.: E 114003
- CSA File No.: LR 86545

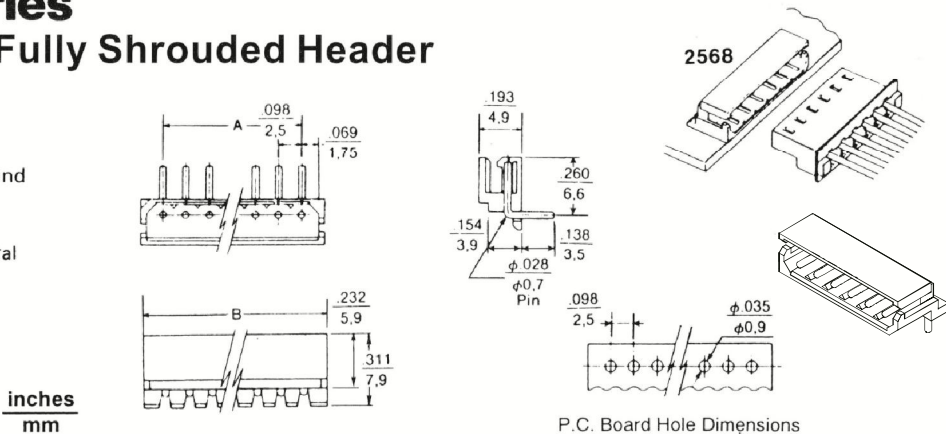


Dimensional & Ordering Information-mm (in)

Circuit	Part No.	Dim. A	Dim. B	Circuits	Part No.	Dim. A	Dim. B
2	2567-02	2.5 (.098)	7.5 (0.295)	12	2567-12	27.5 (1.083)	32.5 (1.280)
3	2567-03	5.0 (1.97)	10.0 (0.394)	13	2567-13	30.0 (1.181)	35.0 (1.378)
4	2567-04	7.5 (2.95)	12.5 (0.492)	14	2567-14	32.5 (1.280)	37.5 (1.476)
5	2567-05	10.0 (3.94)	15.0 (0.591)	15	2567-15	35.0 (1.378)	40.0 (1.575)
6	2567-06	12.5 (4.92)	17.5 (0.689)	16	2567-16	37.5 (1.476)	42.5 (1.673)
7	2567-07	15.0 (5.91)	20.0 (0.787)	17	2567-17	40.0 (1.575)	45.0 (1.772)
8	2567-08	17.5 (6.89)	22.5 (0.886)	18	2567-18	42.5 (1.673)	47.5 (1.870)
9	2567-09	20.0 (7.87)	25.0 (0.984)	19	2567-19	45.0 (1.772)	50.0 (1.969)
10	2567-10	22.5 (8.86)	27.5 (1.083)	20	2567-20	47.5 (1.870)	52.5 (2.067)
11	2567-11	25.0 (9.84)	30.0 (1.181)				

2568-NA Series Right Angle Pin Fully Shrouded Header

- 2-20 Circuits
- UL 94V-0 nylon 6/6
- Tin plated brass pins
- .027" (0,7mm) right angle round pins
- Polarized
- Mates with 2564 crimp terminal housing
- Friction lock
- UL File No.: E 114003
- CSA File No.: LR 86545



Dimensional & Ordering Information-mm (in)

Circuits	Part No.	Dim. A	Dim. B	Circuits	Part No.	Dim. A	Dim. B
2	2568-02	2.5 (.098)	7.5 (0.295)	12	2568-12	27.5 (1.083)	32.5 (1.280)
3	2568-03	5.0 (1.97)	10.0 (0.394)	13	2568-13	30.0 (1.181)	35.0 (1.378)
4	2568-04	7.5 (2.95)	12.5 (0.492)	14	2568-14	32.5 (1.280)	37.5 (1.476)
5	2568-05	10.0 (3.94)	15.0 (0.591)	15	2568-15	35.0 (1.378)	40.0 (1.575)
6	2568-06	12.5 (4.92)	17.5 (0.689)	16	2568-16	37.5 (1.476)	42.5 (1.673)
7	2568-07	15.0 (5.91)	20.0 (0.787)	17	2568-17	40.0 (1.575)	45.0 (1.772)
8	2568-08	17.5 (6.89)	22.5 (0.886)	18	2568-18	42.5 (1.673)	47.5 (1.870)
9	2568-09	20.0 (7.87)	25.0 (0.984)	19	2568-19	45.0 (1.772)	50.0 (1.969)
10	2568-10	22.5 (8.86)	27.5 (1.083)	20	2568-20	47.5 (1.870)	52.5 (2.067)
11	2568-11	25.0 (9.84)	30.0 (1.181)				