

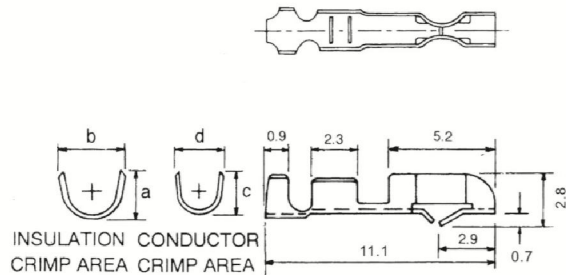


# Disk Drive Power Connection System

## 26T Series Crimp Terminal

- Used in 1822 series housing
- Applicable wires: AWG #26 ~ #20
- Insulation O.D.: .071" (1.8mm) max.
- UL File No.:E114003
- CSA File No.:LR86545

mm



### Dimensional Information:

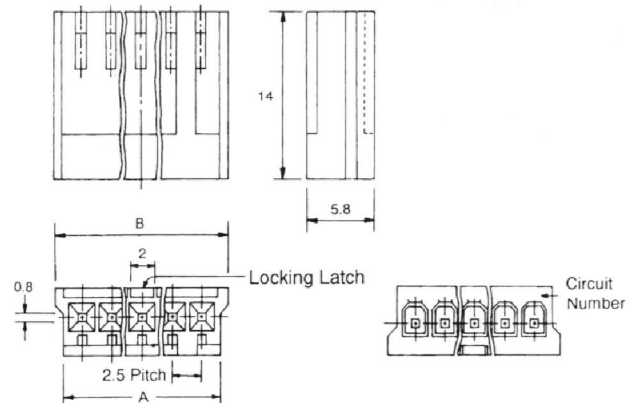
| Part No  | Dimension (mm) |     |     |     | Wire                  |                       | Thickness (mm) | Terminal        |            | Q'ty/Reel |
|----------|----------------|-----|-----|-----|-----------------------|-----------------------|----------------|-----------------|------------|-----------|
|          | a              | b   | c   | d   | Accommodation (# AWG) | Insulation (O.D. MAX) |                | Material        | Finish     |           |
| 26T-6202 | 3.2            | 2.6 | 1.7 | 2.0 | #24 ~ #20             | φ 1.8mm               | 0.2            | Brass           | Tin-plated | 8,000     |
| 26T-6502 |                |     |     |     |                       |                       |                | Phosphor bronze |            |           |
| 26T-1202 | 2.6            | 2.3 | 1.7 | 2.0 | #26 ~ #22             | φ 1.58mm              |                | Brass           |            | 12,000    |
| 26T-1502 |                |     |     |     |                       |                       |                | Phosphor bronze |            |           |

## 1822-N Series

### Housing

- Material: 94V-0 nylon
- 2-12 circuits available
- Standard color: white
- Accepts 26T series terminal
- Mates with 1823, 1824 series header
- UL File No.:E114003
- CSA File No.:LR86545

mm



### Dimensional Information - in. (mm)

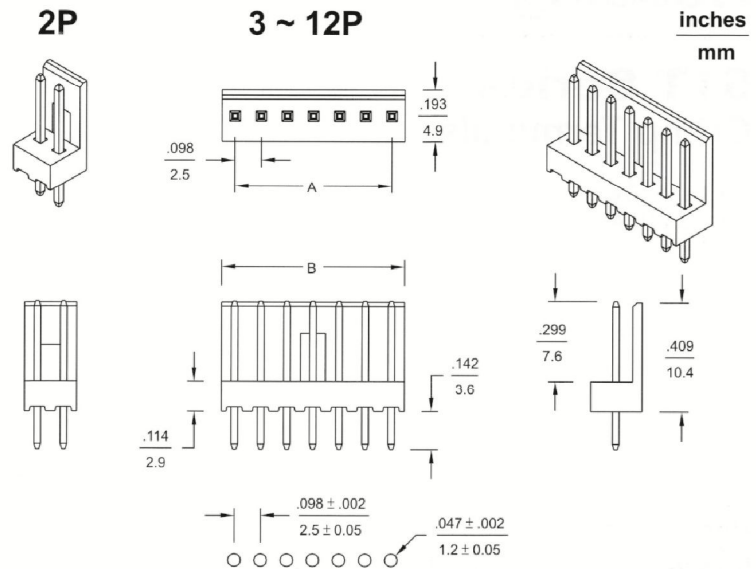
| Circuits | Dim. A      | Dim. B      | Circuits | Dim. A       | Dim. B       |
|----------|-------------|-------------|----------|--------------|--------------|
| 2        | .220 ( 5.6) | .272 ( 6.9) | 8        | .811 (20.6)  | .862 ( 21.9) |
| 3        | .319 ( 8.1) | .370 ( 9.4) | 9        | .909 (23.1)  | .961 ( 24.4) |
| 4        | .417 (10.6) | .469 (11.9) | 10       | 1.008 (25.6) | 1.079 (26.9) |
| 5        | .516 (13.1) | .567 (14.4) | 11       | 1.106 (28.1) | 1.157 (29.4) |
| 6        | .614 (15.6) | .665 (16.9) | 12       | 1.205 (30.6) | 1.256 (31.9) |
| 7        | .713 (18.1) | .764 (19.4) |          |              |              |



# .098"(2.5mm) Center Header

## 1823-N Series Vertical Header

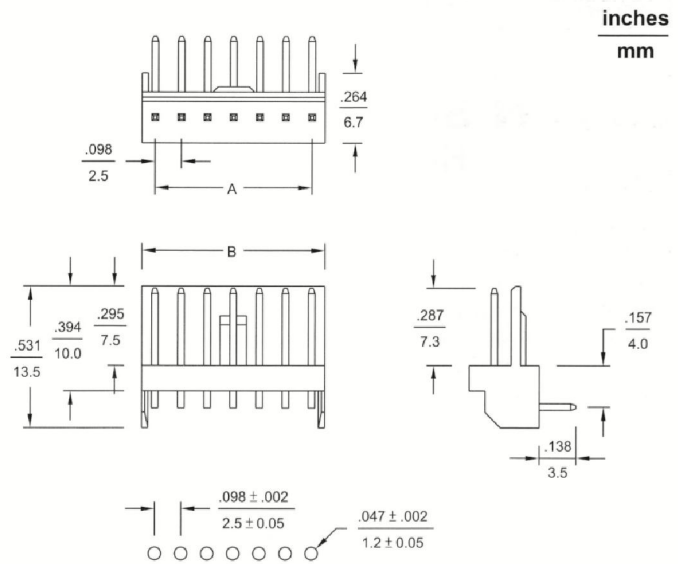
- 2 ~ 12 circuits available
- Material: UL 94V-0 nylon
- .025"(0.64mm) square pin
- Tin-plated brass pin.  
Plating options available
- Various pin lengths available
- Mates with ALEX 1822-N housing
- Friction lock
- UL file No.: E114003
- CSA file No.: LR86545



P. C. board hole dimensions

## 1824-N Series Right Angle Header

- 2 ~ 12 circuits available
- Material: UL 94V-0 nylon
- .025"(0.64mm) square pin
- Tin-plated brass pin.  
Plating options available
- Various pin lengths available
- Mates with ALEX 1822-N housing
- Friction lock
- UL file No.: E114003
- CSA file No.: LR86545



P. C. board hole dimensions

### Dimensional Information - in ( mm ) 1823 / 1824

| Circuits | Dim. A         | Dim. B         | Circuits | Dim. A         | Dim. B         | Circuits | Dim. A         | Dim. B         |
|----------|----------------|----------------|----------|----------------|----------------|----------|----------------|----------------|
| 2        | 0.098 ( 2.5 )  | 0.197 ( 5.0 )  | 6        | 0.492 ( 12.5 ) | 0.591 ( 15.0 ) | 10       | 0.886 ( 22.5 ) | 0.984 ( 25.0 ) |
| 3        | 0.197 ( 5.0 )  | 0.295 ( 7.5 )  | 7        | 0.591 ( 15.0 ) | 0.689 ( 17.5 ) | 11       | 0.984 ( 25.0 ) | 1.083 ( 27.5 ) |
| 4        | 0.295 ( 7.5 )  | 0.394 ( 10.0 ) | 8        | 0.689 ( 17.5 ) | 0.787 ( 20.0 ) | 12       | 1.083 ( 27.5 ) | 1.181 ( 30.0 ) |
| 5        | 0.394 ( 10.0 ) | 0.492 ( 12.5 ) | 9        | 0.787 ( 20.0 ) | 0.886 ( 22.5 ) |          |                |                |