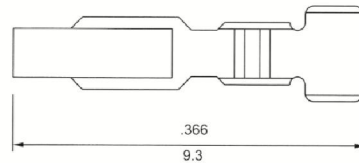
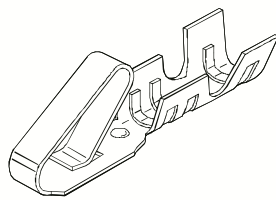




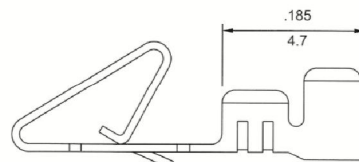
.098"(2.5mm) Center Crimp Terminal Housings

51T Series Crimp Terminals

- Used in ALEX 2510, 8811 series housings
- Accepts AWG #22 ~ #26 wire range



inches
mm

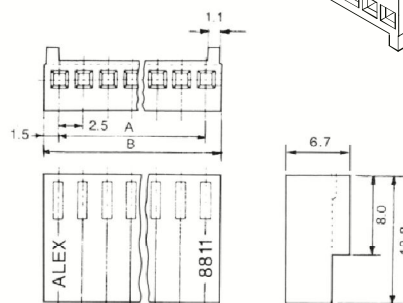
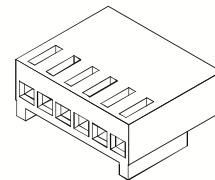


Ordering Information

Part No.	Material	Thickness	Finish	Type
51T-0202	Brass	0.2mm	Tin-plated	Loose
51T-1202	Brass			End-Chain
51T-1502	Phosphor bronze			Middle-Chain
51T-2202	Brass			

8811-N Series Polarizing Housing

- Accepts Alex 51T terminal
- 94V-0 Nylon
- Molded friction lock
- 2-20 Circuits available
- Mates with Alex 8812, 8813 series headers
- UL file No.: E 114003
- CSA file No.: LR 86545



Dimensional Information -in. (mm)

Circuits	Dim. A	Dim. B	Circuits	Dim. A	Dim. B	Circuits	Dim. A	Dim. B
2	0.098 (2.5)	0.217 (5.5)	9	0.787 (20.0)	0.906 (23.0)	16	1.477 (37.5)	1.595 (40.5)
3	0.197 (5.0)	0.315 (8.0)	10	0.886 (22.5)	1.004 (25.5)	17	1.575 (40.0)	1.693 (43.0)
4	0.295 (7.5)	0.413 (10.5)	11	0.984 (25.0)	1.102 (28.0)	18	1.674 (42.5)	1.791 (45.5)
5	0.394 (10.0)	0.512 (13.0)	12	1.083 (27.5)	1.201 (30.5)	19	1.772 (45.0)	1.890 (48.0)
6	0.492 (12.5)	0.611 (15.5)	13	1.181 (30.0)	1.299 (33.0)	20	1.870 (47.5)	1.988 (50.5)
7	0.591 (15.0)	0.709 (18.0)	14	1.280 (32.5)	1.398 (35.5)			
8	0.689 (17.5)	0.807 (20.5)	15	1.378 (35.0)	1.496 (38.0)			

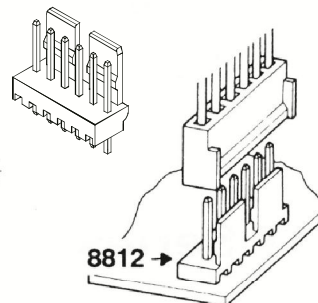
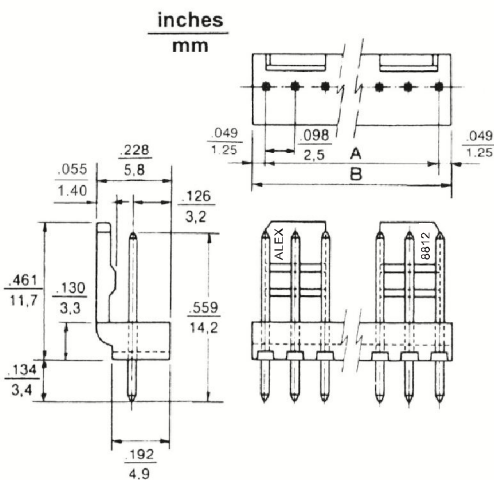


ALEX

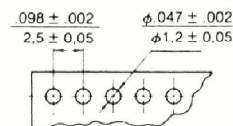
.098" (2,5 mm) Center Headers

8812 -N Series Straight Pin Friction Lock Header

- 2-20 Circuits
- .025" (0,64mm) straight square wire pins
- Friction lock
- Various pin lengths available
- 94V-0 Nylon
- Mates with 8811, 2502 housings
- Tin plated brass pins. Plating options available
- UL File No.: E 114003
- CSA File No.: LR 86545



8812



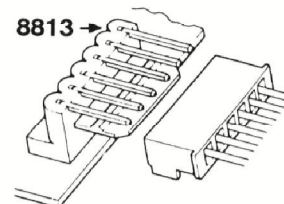
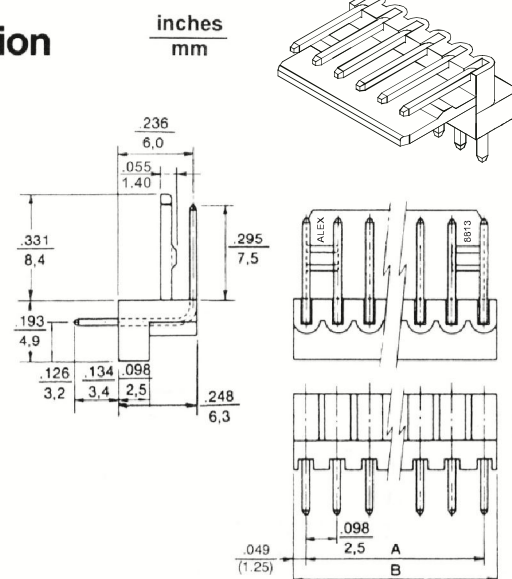
P.C. Board Hole Dimensions

Dimensional Information - in. (mm) 8812/8813

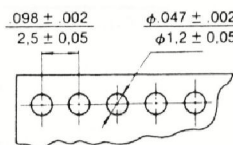
Circuits	Dim. A	Dim. B	Circuits	Dim. A	Dim. B	Circuits	Dim. A	Dim. B
2	0.098 (2.5)	0.197 (5.0)	9	0.787 (20.0)	0.886 (22.5)	16	1.480 (37.5)	1.578 (40.0)
3	0.197 (5.0)	0.295 (7.5)	10	0.886 (22.5)	0.984 (25.0)	17	1.578 (40.0)	1.680 (42.5)
4	0.295 (7.5)	0.394 (10.0)	11	0.984 (25.0)	1.083 (27.5)	18	1.680 (42.5)	1.778 (45.0)
5	0.394 (10.0)	0.492 (12.5)	12	1.083 (27.5)	1.181 (30.0)	19	1.778 (45.0)	1.880 (47.5)
6	0.492 (12.5)	0.591 (15.0)	13	1.181 (30.0)	1.280 (32.5)	20	1.880 (47.5)	1.969 (50.0)
7	0.591 (15.0)	0.689 (17.5)	14	1.280 (32.5)	1.378 (35.0)			
8	0.689 (17.5)	0.787 (20.0)	15	1.378 (35.0)	1.480 (37.5)			

8813 -N Series Right Angle Pin Friction Lock Header

- 2-20 Circuits available
- .025" (0,64mm) right angle square wire pins
- Friction lock
- Various pin lengths available
- 94V-0 Nylon
- Mates with 8811, 2502 housings
- Tin plated brass pins. Plating options available
- UL File No.: E 114003
- CSA File No.: LR 86545



8813



P.C. Board Hole Dimensions