

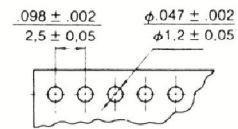
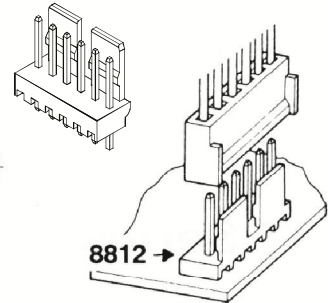
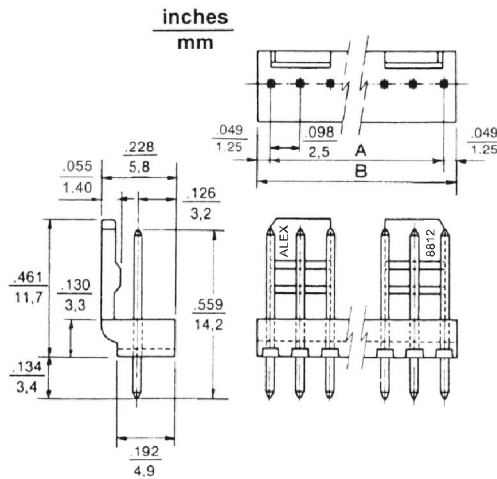


ALEX

.098" (2,5 mm) Center Headers

8812 -N Series Straight Pin Friction Lock Header

- 2-20 Circuits
- .025" (0,64mm) straight square wire pins
- Friction lock
- Various pin lengths available
- 94V-0 Nylon
- Mates with 8811, 2502 housings
- Tin plated brass pins. Plating options available
- UL File No.: E 114003
- CSA File No.: LR 86545



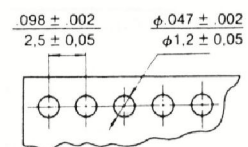
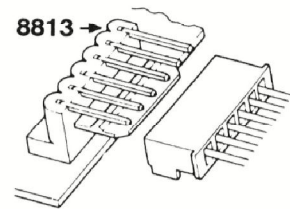
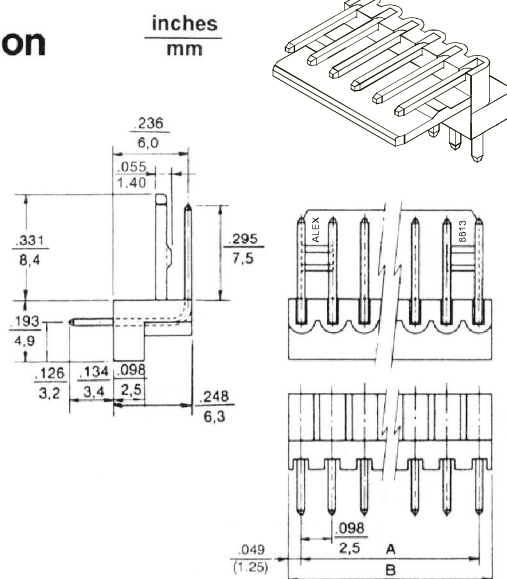
P.C. Board Hole Dimensions

Dimensional Information - in. (mm) 8812/8813

Circuits	Dim. A	Dim. B	Circuits	Dim. A	Dim. B	Circuits	Dim. A	Dim. B
2	0.098 (2.5)	0.197 (5.0)	9	0.787 (20.0)	0.886 (22.5)	16	1.480 (37.5)	1.578 (40.0)
3	0.197 (5.0)	0.295 (7.5)	10	0.886 (22.5)	0.984 (25.0)	17	1.578 (40.0)	1.680 (42.5)
4	0.295 (7.5)	0.394 (10.0)	11	0.984 (25.0)	1.083 (27.5)	18	1.680 (42.5)	1.778 (45.0)
5	0.394 (10.0)	0.492 (12.5)	12	1.083 (27.5)	1.181 (30.0)	19	1.778 (45.0)	1.880 (47.5)
6	0.492 (12.5)	0.591 (15.0)	13	1.181 (30.0)	1.280 (32.5)	20	1.880 (47.5)	1.969 (50.0)
7	0.591 (15.0)	0.689 (17.5)	14	1.280 (32.5)	1.378 (35.0)			
8	0.689 (17.5)	0.787 (20.0)	15	1.378 (35.0)	1.480 (37.5)			

8813 -N Series Right Angle Pin Friction Lock Header

- 2-20 Circuits available
- .025" (0,64mm) right angle square wire pins
- Friction lock
- Various pin lengths available
- 94V-0 Nylon
- Mates with 8811, 2502 housings
- Tin plated brass pins. Plating options available
- UL File No.: E 114003
- CSA File No.: LR 86545



P.C. Board Hole Dimensions



ALEX

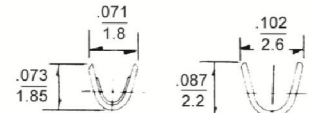
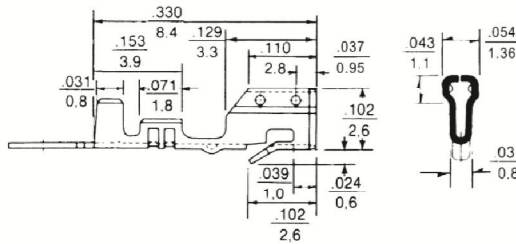
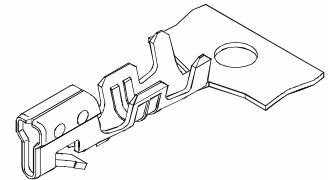
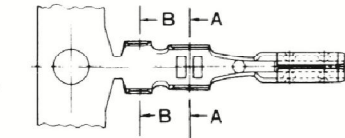
.098" (2.5 mm) Crimp Terminal Housing

54T Series Crimp Terminal

inches
mm

Features/Dimensions

- Low profile
- 4 point contact
- Pre-tinned brass or phosphor bronze
- Used in Alex 2502 series housing
- Wire range: # 22 – # 28 AWG
- Anti-fishhooking contact design
- UL File No.: E 114003
- CSA File No.: LR 86545



Ordering Information

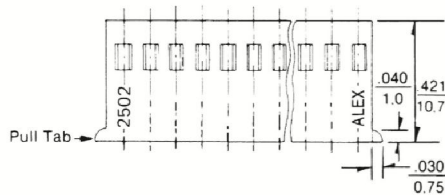
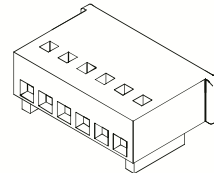
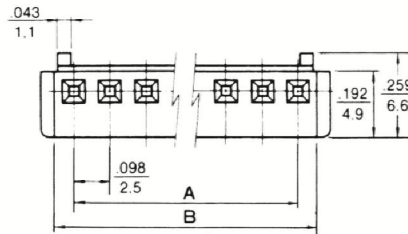
Part No.	Material
54T-1202	Brass
54T-9502	Phosphor Bronze

2502-N Series Crimp Terminal Housing

inches
mm

Features/Dimensions

- 2-20 Circuits
- Low profile
- UL 94V-0 nylon 66
- Molded pull tab
- Friction lock
- Accepts Alex 54T terminal
- Mates with Alex 8812, 8813 series headers
- Mates with Alex 2540-N series housing (2-12P)
- UL File No.: E 114003
- CSA File No.: LR 86545



Dimensional & Ordering Information-in. (mm)

Circuits	Part No.	Dim. A	Dim. B	Circuits	Part No.	Dim. A	Dim. B
2	2502-02	0.098 (2,5)	0.236 (6,0)	12	2502-12	1.083 (27,5)	1.220 (31,0)
3	2502-03	0.197 (5,0)	0.335 (8,5)	13	2502-13	1.181 (30,0)	1.319 (33,5)
4	2502-04	0.295 (7,5)	0.433 (11,0)	14	2502-14	1.280 (32,5)	1.417 (36,0)
5	2502-05	0.394 (10,0)	0.531 (13,5)	15	2502-15	1.378 (35,0)	1.516 (38,5)
6	2502-06	0.492 (12,5)	0.630 (16,0)	16	2502-16	1.476 (37,5)	1.614 (41,0)
7	2502-07	0.591 (15,0)	0.728 (18,5)	17	2502-17	1.575 (40,0)	1.713 (43,5)
8	2502-08	0.689 (17,5)	0.827 (21,0)	18	2502-18	1.673 (42,5)	1.811 (46,0)
9	2502-09	0.787 (20,0)	0.925 (23,5)	19	2502-19	1.772 (45,0)	1.909 (48,5)
10	2502-10	0.886 (22,5)	1.024 (26,0)	20	2502-20	1.870 (47,5)	2.007 (51,0)
11	2502-11	0.984 (25,0)	1.122 (28,5)				