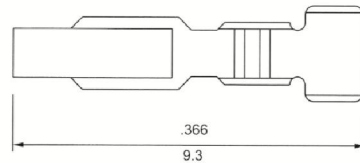
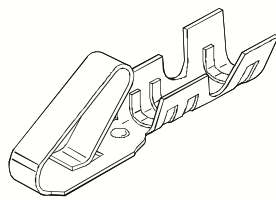




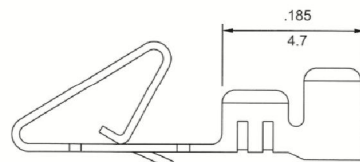
.098" (2.5mm) Center Crimp Terminal Housings

51T Series Crimp Terminals

- Used in ALEX 2510, 8811 series housings
- Accepts AWG #22 ~ #26 wire range



inches
mm

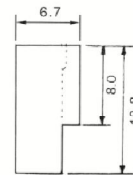
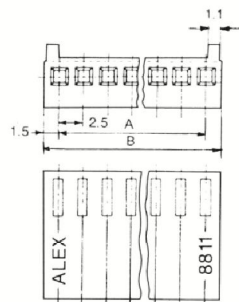
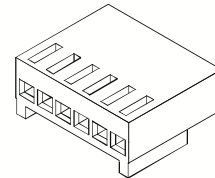


Ordering Information

Part No.	Material	Thickness	Finish	Type
51T-0202	Brass	0.2mm	Tin-plated	Loose
51T-1202	Brass			End-Chain
51T-1502	Phosphor bronze			Middle-Chain
51T-2202	Brass			

8811-N Series Polarizing Housing

- Accepts Alex 51T terminal
- 94V-0 Nylon
- Molded friction lock
- 2-20 Circuits available
- Mates with Alex 8812, 8813 series headers
- UL file No.: E 114003
- CSA file No.: LR 86545



Dimensional Information -in. (mm)

Circuits	Dim. A	Dim. B	Circuits	Dim. A	Dim. B	Circuits	Dim. A	Dim. B
2	0.098 (2.5)	0.217 (5.5)	9	0.787 (20.0)	0.906 (23.0)	16	1.477 (37.5)	1.595 (40.5)
3	0.197 (5.0)	0.315 (8.0)	10	0.886 (22.5)	1.004 (25.5)	17	1.575 (40.0)	1.693 (43.0)
4	0.295 (7.5)	0.413 (10.5)	11	0.984 (25.0)	1.102 (28.0)	18	1.674 (42.5)	1.791 (45.5)
5	0.394 (10.0)	0.512 (13.0)	12	1.083 (27.5)	1.201 (30.5)	19	1.772 (45.0)	1.890 (48.0)
6	0.492 (12.5)	0.611 (15.5)	13	1.181 (30.0)	1.299 (33.0)	20	1.870 (47.5)	1.988 (50.5)
7	0.591 (15.0)	0.709 (18.0)	14	1.280 (32.5)	1.398 (35.5)			
8	0.689 (17.5)	0.807 (20.5)	15	1.378 (35.0)	1.496 (38.0)			



.100" (2.54mm) Center Crimp Terminal Housings

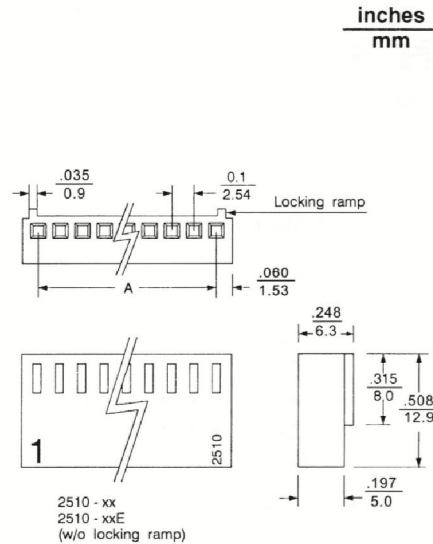
2510 -N Series Polarizing Housing

- 2 ~ 20 circuits available
- UL 94V-0 or 94V-2
- Molded friction lock
- Optional polarization or locking ramp version
- Accept Alex 51T series terminal
- Mate with Alex 2512, 2513, 2513-NL series headers
- UL File No. : E114003

Ordering Information

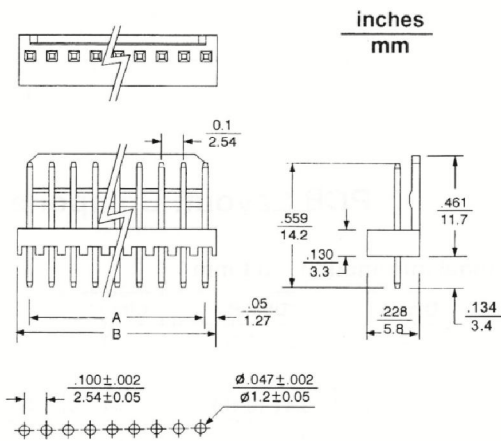
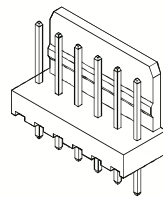
Part No.	Material	Feature
2510-xxV0	UL 94V-0	With locking ramp
2510-xxEV0		Without locking ramp
2510-xxV2	UL 94V-2	With locking ramp
2510-xxEV2		Without locking ramp

Replace "xx" with number of circuits, 02~20



2512 -N Series Straight Pin Friction Lock Header

- 2 ~ 20 circuits available
- .025" (0.64mm) straight square wire pins
- Friction lock
- Various pin lengths available
- Mate with Alex 2510 series housing
- Tin plated brass pins. Plating options available
- UL File No. : E114003



P.C. Board Hole Dimensions

Ordering Information

Part No.	Material
2512-xxV0	UL 94V-0
2512-xxV2	UL 94V-2

Dimensional Information - in (mm) 2510/2512

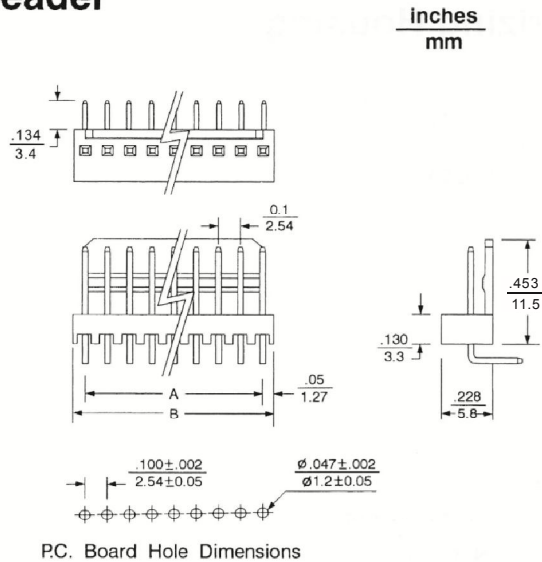
Circuits	Dim. A	Dim. B	Circuits	Dim. A	Dim. B	Circuits	Dim. A	Dim. B
2	0.100 (2.54)	0.200 (5.08)	9	0.800 (20.32)	0.900 (22.86)	16	1.500 (38.10)	1.600 (40.64)
3	0.200 (5.08)	0.300 (7.62)	10	0.900 (22.86)	1.000 (25.40)	17	1.600 (40.64)	1.700 (43.18)
4	0.300 (7.62)	0.400 (10.16)	11	1.000 (25.40)	1.100 (27.94)	18	1.700 (43.18)	1.800 (45.72)
5	0.400 (10.16)	0.500 (12.70)	12	1.100 (27.94)	1.200 (30.48)	19	1.800 (45.72)	1.900 (48.26)
6	0.500 (12.70)	0.600 (15.24)	13	1.200 (30.48)	1.300 (33.02)	20	1.900 (48.26)	2.000 (50.80)
7	0.600 (15.24)	0.700 (17.78)	14	1.300 (33.02)	1.400 (35.56)			
8	0.700 (17.78)	0.800 (20.32)	15	1.400 (35.56)	1.500 (38.10)			



.100" (2.54mm) Center Headers

2513-N Series Right Angle Pin Friction Lock Header

- 2 ~ 20 circuits available
- .025" (0.64mm) right angle square wire pins
- Friction lock
- Various pin lengths available
- Mate with Alex 2510 series housing
- Tin plated brass pins. Plating options available
- UL File No. : E114003

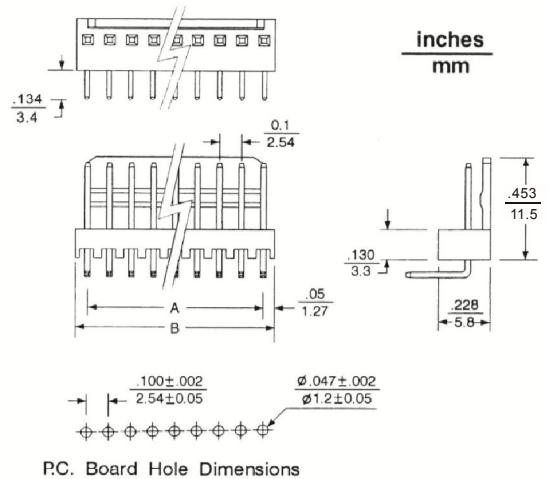


Ordering Information

Part No.	Material
2513-xxV0	UL 94V-0
2513-xxV2	UL 94V-2

2513-NL Series Right Angle Pin Friction Lock Header

- 2 ~ 20 circuits available
- .025" (0.64mm) right angle square wire pins
- Friction lock
- Various pin lengths available
- Mate with Alex 2510 series housing
- Tin plated brass pins. Plating options available
- UL File No. : E114003



Ordering Information

Part No.	Material
2513-xxLV0	UL 94V-0
2513-xxLV2	UL 94V-2

Dimensional Information - in (mm) 2513-N / 2513-NL

Circuits	Dim. A	Dim. B	Circuits	Dim. A	Dim. B	Circuits	Dim. A	Dim. B
2	0.100 (2.54)	0.200 (5.08)	9	0.800 (20.32)	0.900 (22.86)	16	1.500 (38.10)	1.600 (40.64)
3	0.200 (5.08)	0.300 (7.62)	10	0.900 (22.86)	1.000 (25.40)	17	1.600 (40.64)	1.700 (43.18)
4	0.300 (7.62)	0.400 (10.16)	11	1.000 (25.40)	1.100 (27.94)	18	1.700 (43.18)	1.800 (45.72)
5	0.400 (10.16)	0.500 (12.70)	12	1.100 (27.94)	1.200 (30.48)	19	1.800 (45.72)	1.900 (48.26)
6	0.500 (12.70)	0.600 (15.24)	13	1.200 (30.48)	1.300 (33.02)	20	1.900 (48.26)	2.000 (50.80)
7	0.600 (15.24)	0.700 (17.78)	14	1.300 (33.02)	1.400 (35.56)			
8	0.700 (17.78)	0.800 (20.32)	15	1.400 (35.56)	1.500 (38.10)			