



ALEX

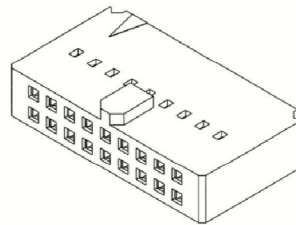
.100" (2.54mm) Crimp Terminal Housing

Specifications:

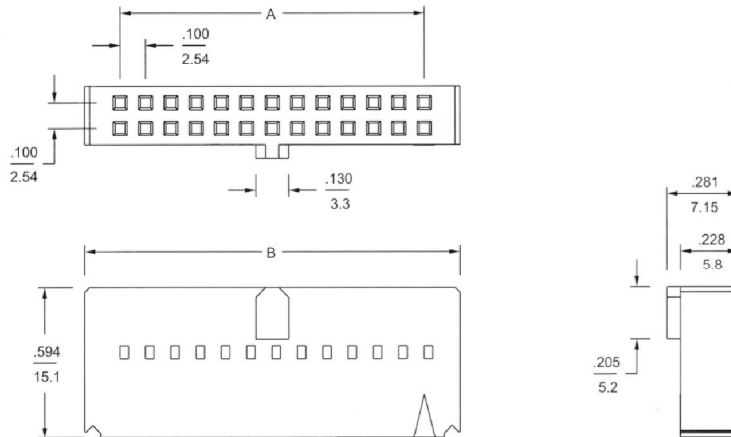
- Current rating: 3A DC
- Voltage rating: 250V AC, DC
- Insulation resistance: 1000MΩ Min.
- Dielectric withstanding voltage: 800V AC/minute
- Ambient temperature range: -25 °C ~ 85 °C (including temperature rise)
- UL file No. : E114003

4802-N Series Crimp Terminal Housing

- 6 ~ 72 circuits available
- Material: P.B.T. UL 94V-0
- Accepts ALEX 9558T terminal
- Mates with ALEX 4800-xx4801-xx, 4700-N, 4701-N, 4702-N headers



inches
mm



Dimensional Information - in (mm)

Circuits	Dim. A	Dim. B	Circuits	Dim. A	Dim. B	Circuits	Dim. A	Dim. B
6	0.20 (5.08)	0.481 (12.22)	30	1.40 (35.56)	1.681 (42.70)	54	2.60 (66.04)	2.881 (73.18)
8	0.30 (7.62)	0.581 (14.76)	32	1.50 (38.10)	1.781 (45.24)	56	2.70 (68.58)	2.981 (75.72)
10	0.40 (10.16)	0.681 (17.30)	34	1.60 (40.64)	1.881 (47.78)	58	2.80 (71.12)	3.081 (78.26)
12	0.50 (12.70)	0.781 (19.84)	36	1.70 (43.18)	1.981 (50.32)	60	2.90 (73.66)	3.181 (80.80)
14	0.60 (15.24)	0.881 (22.38)	38	1.80 (45.72)	2.081 (52.86)	62	3.00 (76.20)	3.281 (83.34)
16	0.70 (17.78)	0.981 (24.92)	40	1.90 (48.26)	2.181 (55.40)	64	3.10 (78.74)	3.381 (85.88)
18	0.80 (20.32)	1.081 (27.46)	42	2.00 (50.80)	2.281 (57.94)	66	3.20 (81.28)	3.481 (88.42)
20	0.90 (22.86)	1.181 (30.00)	44	2.10 (53.34)	2.381 (60.48)	68	3.30 (83.82)	3.581 (90.96)
22	1.00 (25.40)	1.281 (32.54)	46	2.20 (55.88)	2.481 (63.02)	70	3.40 (86.36)	3.681 (93.50)
24	1.10 (27.94)	1.381 (35.08)	48	2.30 (58.42)	2.581 (65.56)	72	3.50 (88.90)	3.781 (96.04)
26	1.20 (30.48)	1.481 (37.62)	50	2.40 (60.96)	2.681 (68.10)			
28	1.30 (33.02)	1.581 (40.16)	52	2.50 (63.50)	2.781 (70.64)			



.100"(2.54mm) Box Header

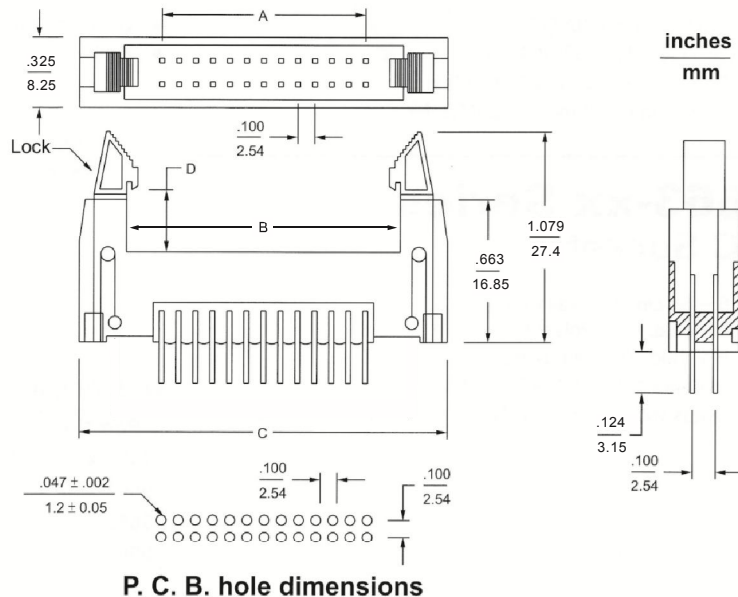
4800-xx Series Vertical Header

- 10 ~ 64 circuits available
- Material: Nylon 6T
- .025"(0.64mm) square pins
- Gold-flash brass pin
- Mates with ALEX 4802-N housing
- Color: Black

Ordering Information

Part No.	Dim. D	Features
4800-xx		Without Lock
4800-xx-1	4.3	With Lock
4800-xx-2	7.7	

&& xx = 10 ~ 64



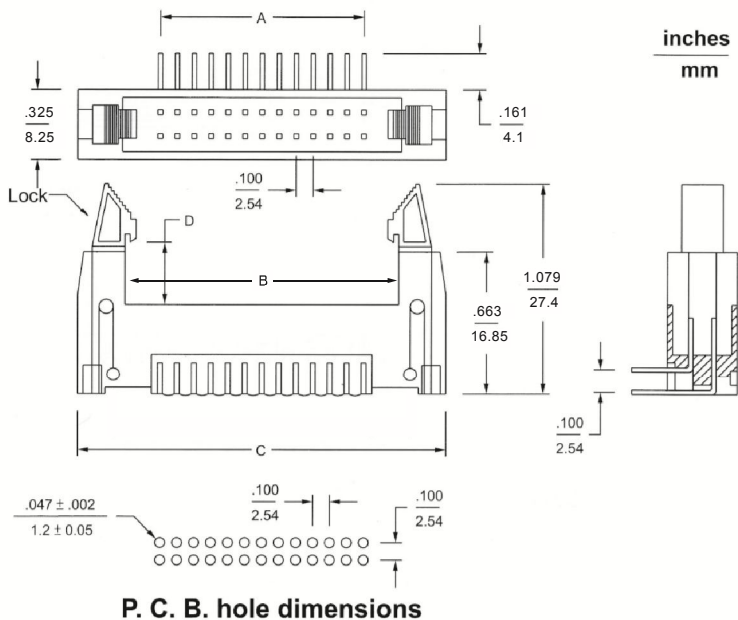
4801-xx Series Right Angle Header

- 10 ~ 64 circuits available
- Material: Nylon 6T
- .025"(0.64mm) square pins
- Gold-flash brass pin
- Mates with ALEX 4802-N housing
- Color: Black

Ordering Information

Part No.	Dim. D	Features
4801-xx		Without Lock
4801-xx-1	4.3	With Lock
4801-xx-2	7.7	

&& xx = 10 ~ 64



Dimensional Information - in (mm) 4800 / 4801

Circuits	Dim.A	Dim.B	Dim.C	Circuits	Dim.A	Dim.B	Dim.C
10	0.40 (10.16)	0.709 (18.00)	1.256 (31.90)	30	1.40 (35.56)	1.709 (43.40)	2.260 (57.40)
12	0.50 (12.70)	0.809 (20.54)	1.362 (34.60)	34	1.60 (40.64)	1.909 (48.48)	2.456 (62.38)
14	0.60 (15.24)	0.909 (23.08)	1.456 (36.98)	40	1.90 (48.26)	2.209 (56.10)	2.756 (70.00)
16	0.70 (17.78)	1.009 (25.62)	1.556 (39.52)	50	2.40 (60.96)	2.709 (68.80)	3.256 (82.70)
20	0.90 (22.86)	1.209 (30.70)	1.756 (44.60)	60	2.90 (73.66)	3.221 (81.82)	3.764 (95.60)
24	1.10 (27.94)	1.409 (35.78)	1.956 (49.68)	64	3.10 (78.74)	3.421 (86.90)	3.965 (100.7)
26	1.20 (30.48)	1.509 (38.32)	2.053 (52.15)				



ALEX

.100" (2.54mm) Single Row Crimp Connector System

Specifications:

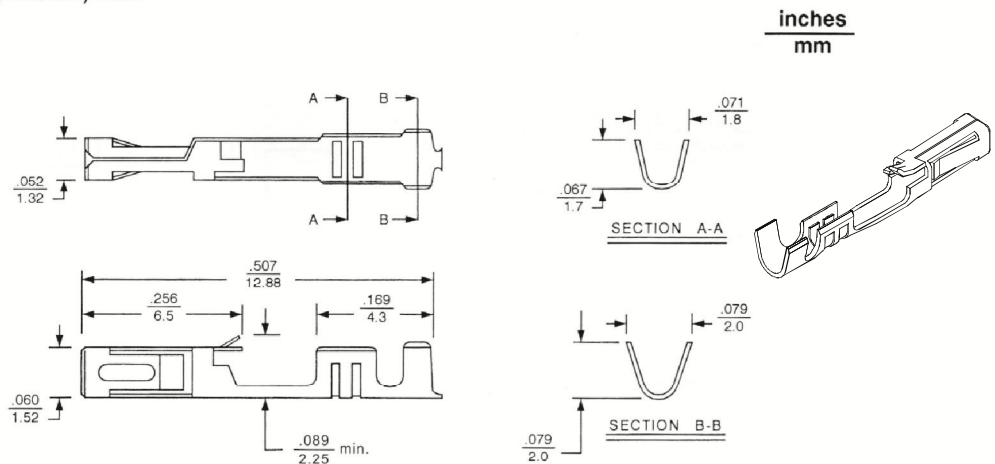
- Current Rating: 3A AC, DC
- Dielectric Withstanding Voltage: 600V (R.M.S.) AC/minute
- Contact Resistance: 15 mΩ max.
- Insulation Resistance: 10000MΩ
- Ambient Temperature Range: -40°C ~ 105°C (including temperature rise)
- UL File No.: E114003

9558T Series Box Female Crimp Terminal

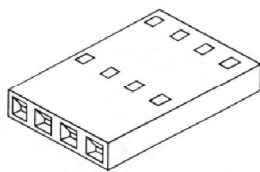
- Used in ALEX 9566-xx, 4802 housings
- Wire Range: AWG #22 ~ #24
- Finished: Tin-plated
- Material: Phosphor Bronze or Brass
- Dual beam, fully enclosed box contact with locking lance
- Insulation O.D.: .064" (φ1.63mm) max.

Ordering Information:

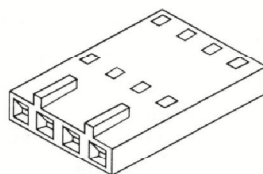
Part No.	Material	Thickness	Q'ty/Reel
9558T	Brass	0.2mm	10000PCS
9558TP	Phosphor bronze		



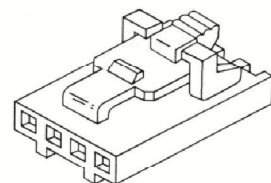
9566-xx Series



**"A" Version
9566-xxA**



**"C" Version
9566-xxC**



**"G" Version
9566-xxG**