

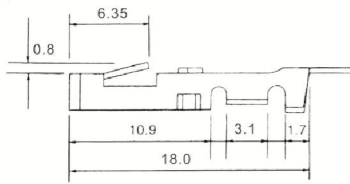


Disk Drive Power Connection System

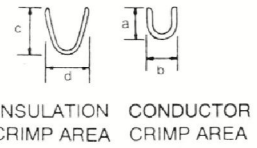
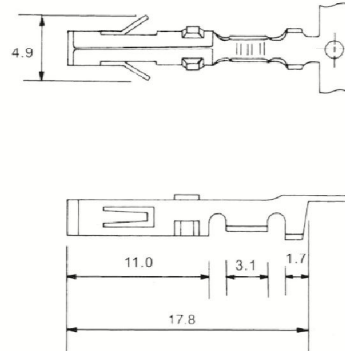
61T Series Crimp Terminal

- For use with AWG #16~#22 wire
- Used in Alex 5050-03, 5050-04 housings
- Tin plated brass or phosphor bronze

One lance



Two lance



Dimensions & Ordering Information:

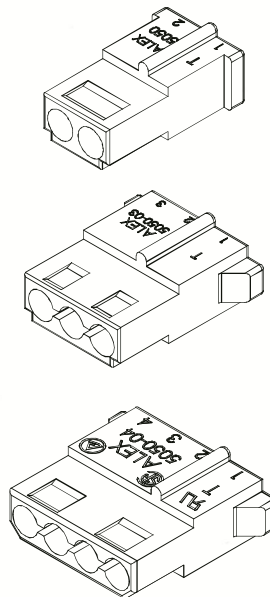
Part No	Dimension (mm)				Wire		Terminal			Note	Q'ty/Reel
	a	b	c	d	Accommodation (# AWG)	Insulation (O.D. MAX)	Thickness (mm)	Material	Finish		
61T-1224	2.3	2.5	3.3	4.2	#22 ~ #18	φ 2.2mm	0.3	Brass	Tin-plated	One lance	7,000
61T-5224	2.4	2.3	3.4	4.0				Phosphor bronze		Two lances	
61T-D224								Brass			
61T-D524	3.3	3.4	3.5	4.8	#20 ~ #16	φ 2.5mm	Phosphor bronze				

5050-N Series Crimp Terminal Housing

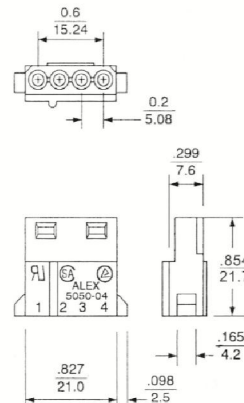
- 2~4 circuits available
- UL 94V-2 nylon 66, nature color
- Accepts ALEX 61T terminal
- Mates with ALEX 6060-N housing
- Mates with ALEX 9090-xxx header
- UL file No.: E114003
- CSA file No.: LR86545
- TUV file No.: R9271078

Dimensional Information -in (mm)

Circuits	Dim. A	Dim. B
2	0.200 (5.08)	0.427 (10.84)
3	0.400 (10.16)	0.627 (15.92)
4	0.600 (15.24)	0.827 (21.00)



inches
mm



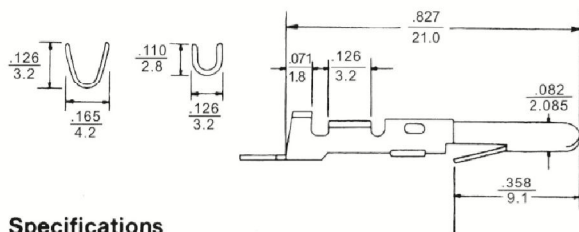


ALEX

Disk Drive Power Connection System

62T Crimp Terminal

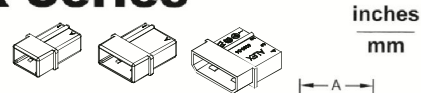
- For use with AWG #18-#22 wire
- Used in Alex 6060 housing
- Tin plated brass



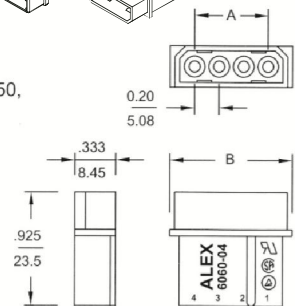
Specifications

Voltage Rating: 250V AC
 Current Rating: 7 amps (with 18 AWG wire)
 Dielectric Withstanding Voltage: 1500 V AC for 60 seconds
 Insulation Resistance: Greater than 500 K megohms
 Temperature Range: -40°C to 105°C

6060-xx Series Housing



- 2 ~ 4 circuits available
- UL 94V-2 nylon, natural color
- Mates with 870156 IDT or 5050, 5050-xxW crimp connectors
- Current rating 10A Max.
- Voltage rating 250V AC
- Accepts ALEX 62T terminal
- UL File NO.: E114003
- CSA File NO.: LR85645
- TUV File No.: R9271078



Dimensional Information - in (mm)

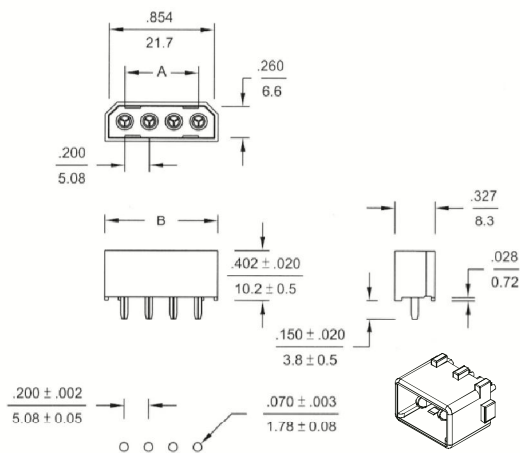
Circuits	Dim. A	Dim. B
2	0.200 (5.08)	0.600 (15.24)
3	0.400 (10.16)	0.800 (20.32)
4	0.600 (15.24)	1.000 (25.40)

Vertical Mount and Right Angle Header

- 2 ~ 4 circuits available
- Mates with 870156 or 5050-xx crimp connectors

- Current rating: 10A vertical, 6.5A right angle
- Voltage rating: 250V AC

9090-xxV

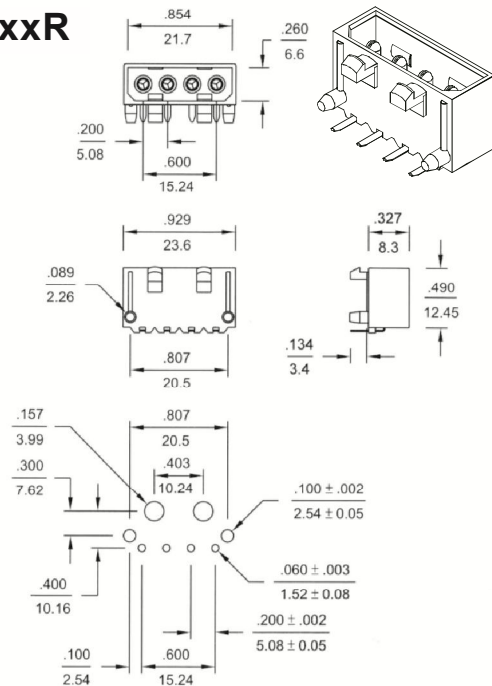


P.C.B. hole dimensions

Dimensional Information - in (mm)

Circuits	Dim. A	Dim. B
2	0.200 (5.08)	0.515 (13.08)
3	0.400 (10.16)	0.715 (18.16)
4	0.600 (15.24)	0.921 (23.40)

9090-xxR



P.C.B. hole dimensions