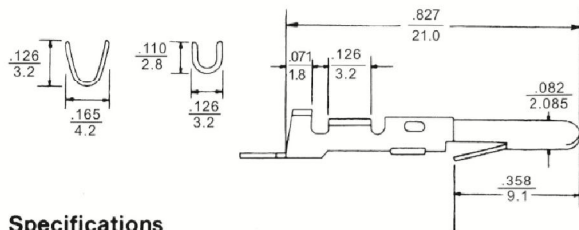




Disk Drive Power Connection System

62T Crimp Terminal

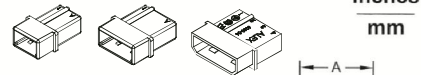
- For use with AWG #18-#22 wire
- Used in Alex 6060 housing
- Tin plated brass



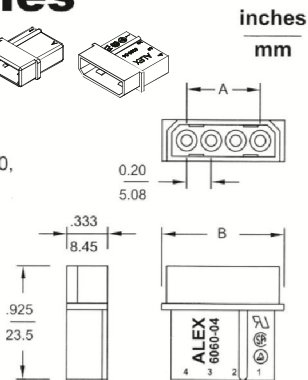
Specifications

Voltage Rating: 250V AC
 Current Rating: 7 amps (with 18 AWG wire)
 Dielectric Withstanding Voltage: 1500 V AC for 60 seconds
 Insulation Resistance: Greater than 500 K megohms
 Temperature Range: -40°C to 105°C

6060-xx Series Housing



- 2 ~ 4 circuits available
- UL 94V-2 nylon, natural color
- Mates with 870156 IDT or 5050, 5050-xxW crimp connectors
- Current rating 10A Max.
- Voltage rating 250V AC
- Accepts ALEX 62T terminal
- UL File NO.: E114003
- CSA File NO.: LR85645
- TUV File No.: R9271078



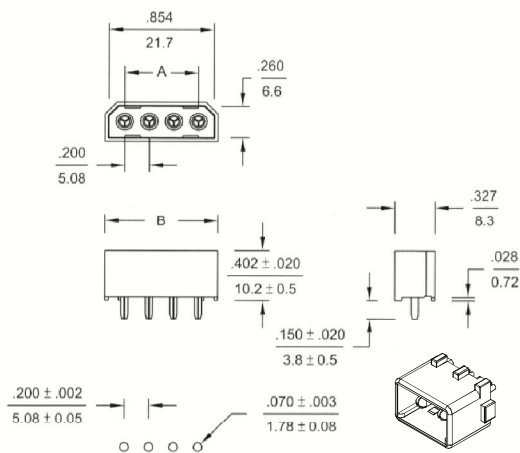
Dimensional Information - in (mm)

Circuits	Dim. A	Dim. B
2	0.200 (5.08)	0.600 (15.24)
3	0.400 (10.16)	0.800 (20.32)
4	0.600 (15.24)	1.000 (25.40)

Vertical Mount and Right Angle Header

- 2 ~ 4 circuits available
- Mates with 870156 or 5050-xx crimp connectors
- Current rating: 10A vertical, 6.5A right angle
- Voltage rating: 250V AC

9090-xxV

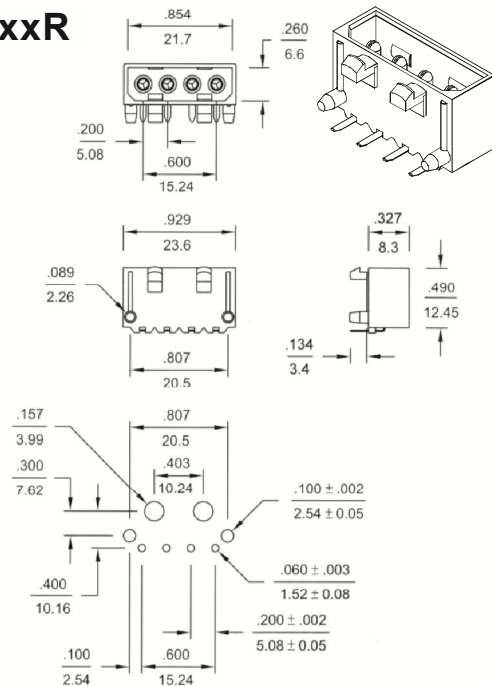


P.C.B. hole dimensions

Dimensional Information - in (mm)

Circuits	Dim. A	Dim. B
2	0.200 (5.08)	0.515 (13.08)
3	0.400 (10.16)	0.715 (18.16)
4	0.600 (15.24)	0.921 (23.40)

9090-xxR



P.C.B. hole dimensions



.200"(5.08mm) Vertical Header

Specifications:

- Current rating: 7A Max.
- Voltage rating: 250V AC, DC
- Dielectric withstanding voltage: 1500V AC/minute
- Ambient temperature range: -40 °C ~ 105 °C
- UL file No. : E114003

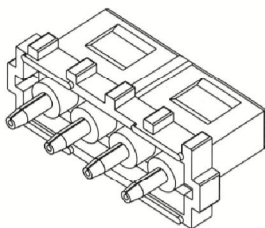
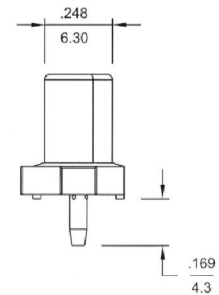
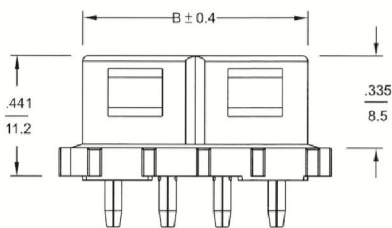
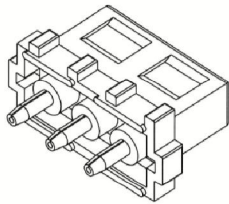
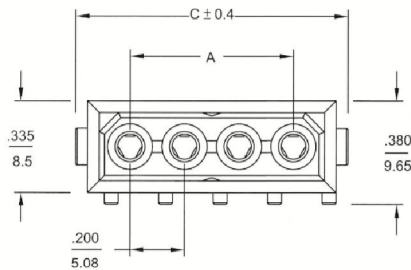
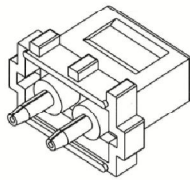
5050-xxW Series Vertical Header

inches
mm

- 2 ~ 4 circuits available
- Plastic material: UL 94V-2 nylon
- Pin material: Tin-plated phosphor bronze
- Mates with ALEX 6060-N housing
- Mates with ALEX 9090 headers

Dimensional Information (mm)

Circuits	Dim. A	Dim. B	Dim. C
2	0.200 (5.08)	0.427 (10.84)	0.600 (15.24)
3	0.400 (10.16)	0.627 (15.92)	0.800 (20.32)
4	0.600 (15.24)	0.827 (21.00)	1.000 (25.40)



P. C. board hole dimensions