



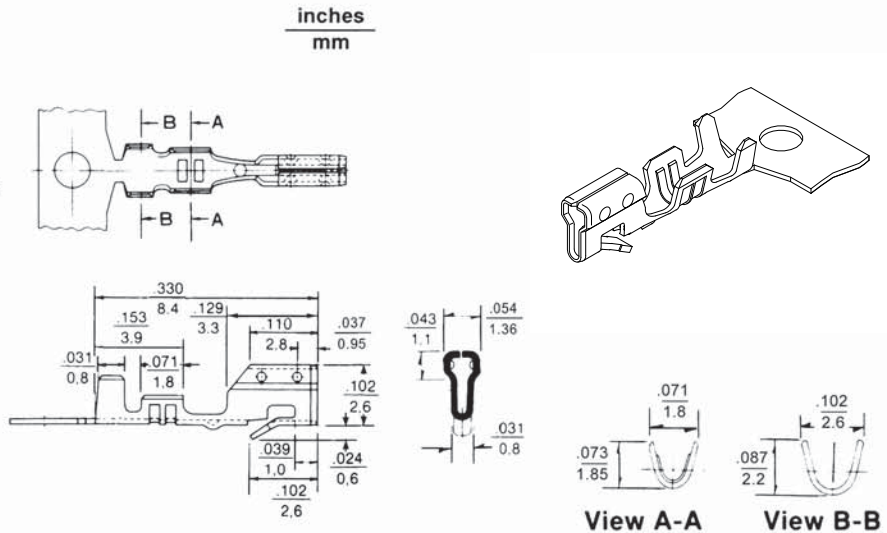
ALEX

.098" (2.5 mm) Crimp Terminal Housing

54T Series Crimp Terminal

Features/Dimensions

- Low profile
- 4 point contact
- Pre-tinned brass or phosphor bronze
- Used in Alex 2502 series housing
- Wire range: # 22 – # 28 AWG
- Anti-fishhooking contact design
- UL File No.: E 114003
- CSA File No.: LR 86545



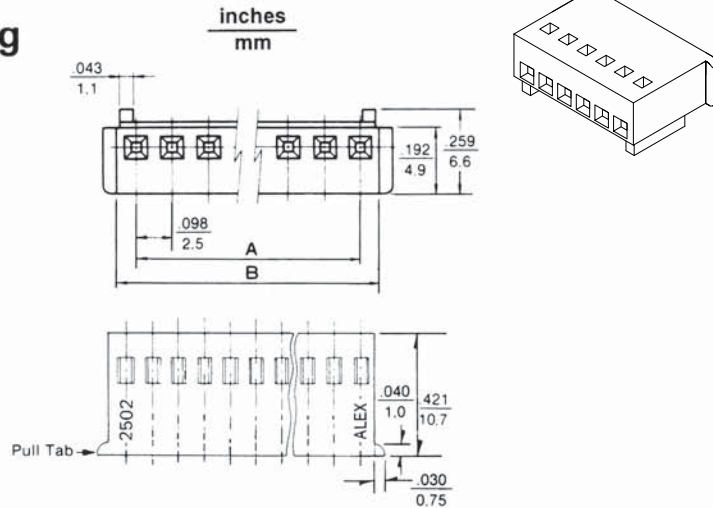
Ordering Information

Part No.	Material
54T-1202	Brass
54T-9502	Phosphor Bronze

2502-N Series Crimp Terminal Housing

Features/Dimensions

- 2-20 Circuits
- Low profile
- UL 94V-0 nylon 66
- Molded pull tab
- Friction lock
- Accepts Alex 54T terminal
- Mates with Alex 8812, 8813 series headers
- Mates with Alex 2540-N series housing (2-12P)
- UL File No.: E 114003
- CSA File No.: LR 86545



Dimensional & Ordering Information-in. (mm)

Circuits	Part No.	Dim. A	Dim. B	Circuits	Part No.	Dim. A	Dim. B
2	2502-02	0.098 (2,5)	0.236 (6,0)	12	2502-12	1.083 (27,5)	1.220 (31,0)
3	2502-03	0.197 (5,0)	0.335 (8,5)	13	2502-13	1.181 (30,0)	1.319 (33,5)
4	2502-04	0.295 (7,5)	0.433 (11,0)	14	2502-14	1.280 (32,5)	1.417 (36,0)
5	2502-05	0.394 (10,0)	0.531 (13,5)	15	2502-15	1.378 (35,0)	1.516 (38,5)
6	2502-06	0.492 (12,5)	0.630 (16,0)	16	2502-16	1.476 (37,5)	1.614 (41,0)
7	2502-07	0.591 (15,0)	0.728 (18,5)	17	2502-17	1.575 (40,0)	1.713 (43,5)
8	2502-08	0.689 (17,5)	0.827 (21,0)	18	2502-18	1.673 (42,5)	1.811 (46,0)
9	2502-09	0.787 (20,0)	0.925 (23,5)	19	2502-19	1.772 (45,0)	1.909 (48,5)
10	2502-10	0.886 (22,5)	1.024 (26,0)	20	2502-20	1.870 (47,5)	2.007 (51,0)
11	2502-11	0.984 (25,0)	1.122 (28,5)				

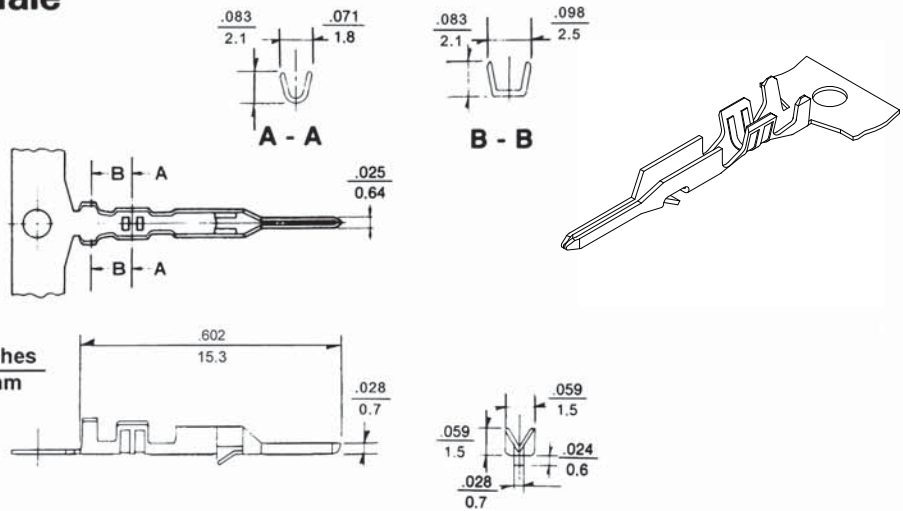


.098" (2.5 mm) Crimp Terminal Housings

41T Series Crimp Terminal, Male

Features/Dimensions:

- Rigid contact
- Tin-plated
- Used in Alex 2540 series housing
- Wire range – AWG # 22 – # 28
- UL File No.: E 114003
- CSA File No.: LR 86545



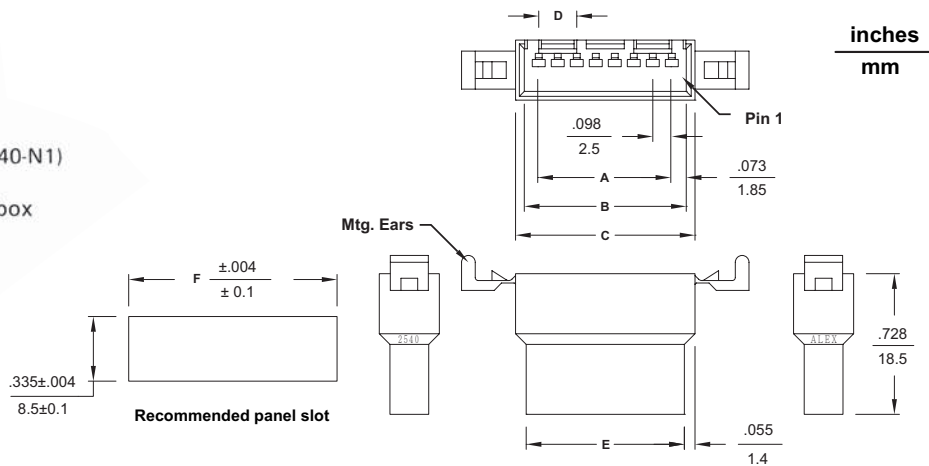
Ordering Information

Part No.	Material
41T	Brass
41TP	Phosphor Bronze

2540-N Series Plug Housing

Features/Dimensions:

- 2-12 Circuits
- Wire to wire application
- Mounting ears (2540-N)
- Without mounting ears (2540-N1)
- UL 94V-0, nylon 66
- Accepts Alex mini spring-box terminal 41T
- Mates with Alex 2502 series housing
- UL File No.: E 114003
- CSA File No.: LR 865



Ordering and Dimensional Information - in. (mm)

Circuits	Part No.	Dim. A	Dim. B	Dim. C	Dim. D	Dim. E	Dim. F
2	2540-02	.098 (2,5)	.244 (6,2)	.338 (8,6)	.098 (2,5)	.228 (5,8)	.488 (12,4)
3	2540-03	.197 (5,0)	.342 (8,7)	.437 (11,1)	.197 (5,0)	.327 (8,3)	.587 (14,9)
4	2540-04	.295 (7,5)	.440 (11,2)	.535 (13,6)	.295 (7,5)	.425 (10,8)	.685 (17,4)
5	2540-05	.393 (10,0)	.539 (13,7)	.633 (16,1)	.145 (3,7)	.524 (13,3)	.783 (19,9)
6	2540-06	.492 (12,5)	.637 (16,2)	.732 (18,6)	.197 (5,0)	.622 (15,8)	.882 (22,4)
7	2540-07	.591 (15,0)	.736 (18,7)	.830 (21,1)	.197 (5,0)	.720 (18,3)	.980 (24,9)
8	2540-08	.689 (17,5)	.834 (21,2)	.929 (23,6)	.197 (5,0)	.819 (20,8)	1.079 (27,4)
9	2540-09	.787 (20,0)	.933 (23,7)	1.027 (26,1)	.197 (5,0)	.917 (23,3)	1.177 (29,9)
10	2540-10	.886 (22,5)	1.031 (26,2)	1.125 (28,6)	.197 (5,0)	1.016 (25,8)	1.276 (32,4)
11	2540-11	.984 (25,0)	1.130 (28,7)	1.224 (31,1)	.197 (5,0)	1.114 (28,3)	1.374 (34,9)
12	2540-12	1.083 (27,5)	1.228 (31,2)	1.323 (33,6)	.197 (5,0)	1.213 (30,8)	1.472 (37,4)